

1x500PF internal components

Figure 4-17 1x500PF internal components

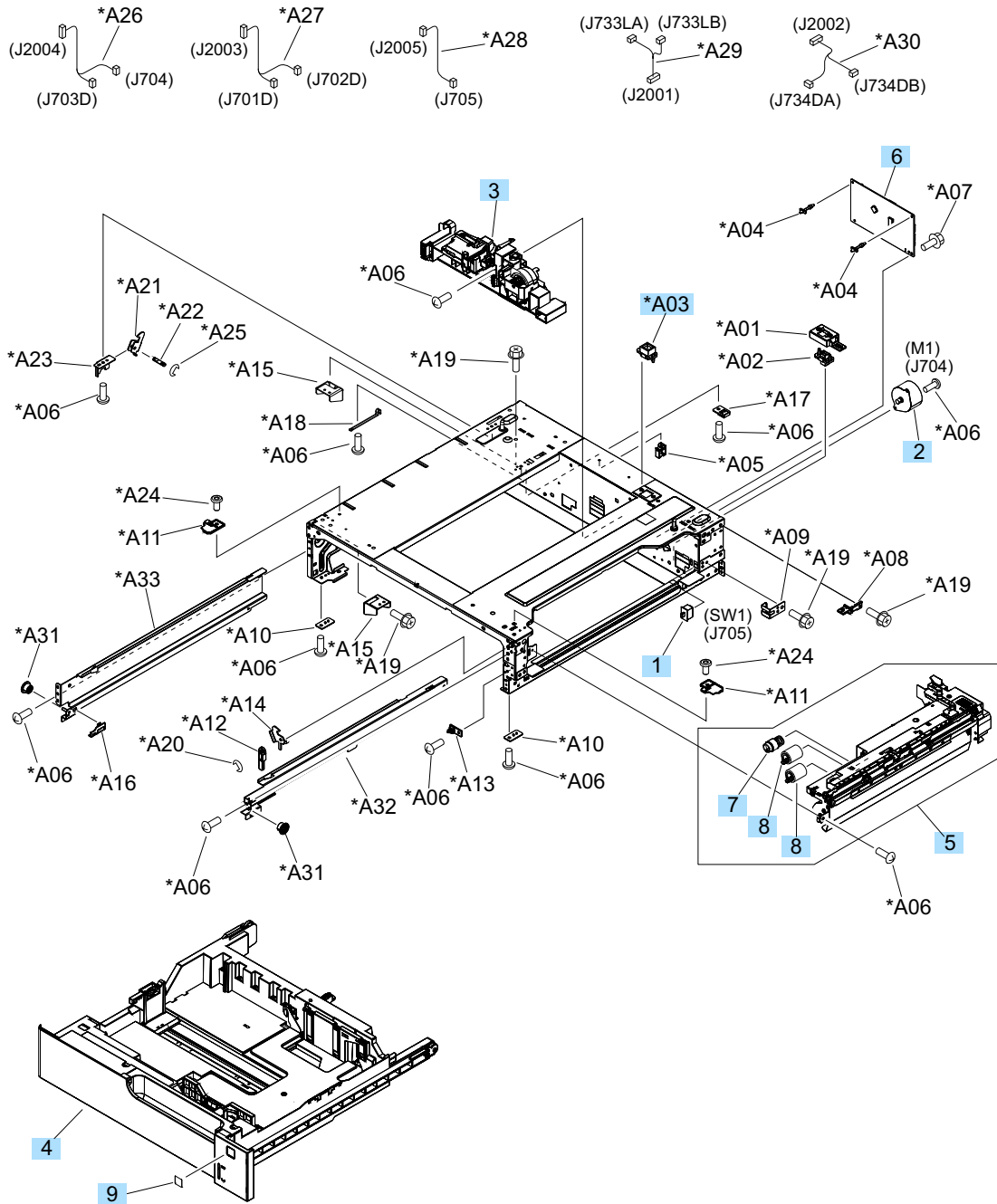


Table 4-21 1x500PF internal components

Ref	Description	Part number	Qty
1	Switch, bottom (1x500PF)	WC2-5512-000CN	1
2	Motor, pick-up (1x500PF)	RK2-1331-000CN	1
3	Lifter drive assembly (1x500PF)	RM1-3819-000CN	1
4	Cassette (1x500PF)	RM1-6942-000CN	1
5	Paper pick-up assembly (1x500PF)	RM1-6944-000CN	1
6	Paper feeder driver PCA (1x500PF)	RM1-6987-000CN	1
7	Roller, pick-up, paper feeder (included in service kit)	CE710-67908	1
8	Roller, feed, paper feeder (included in service kit)	CE710-67908	2
9	Label, cassette number (1x500PF)	RC2-9363-000CN	1
A03	Connector, 8P (1x500PF)	VS1-7514-008CN	1