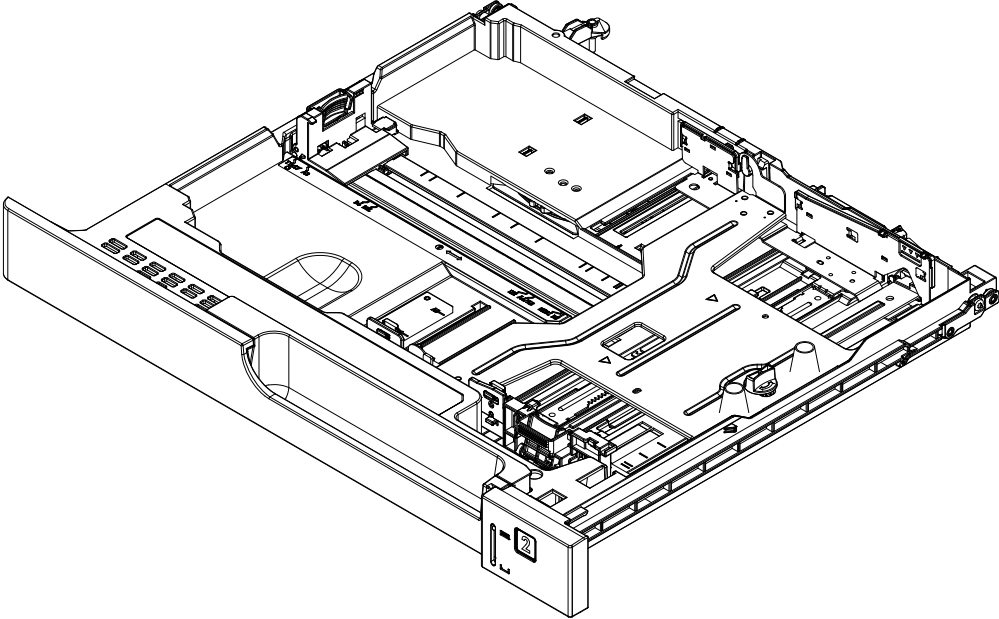


# 1x250 cassette

Figure 4-12 1x250 cassette



**Table 4-16 1x250 cassette**

<b>Ref</b>	<b>Description</b>	<b>Part number</b>	<b>Qty</b>
	Cassette	CE710-67906	1