

3x500 paper feeder

The 3x500 paper feeder is referred to as the 3x500PF.

3x500PF external components

Figure 4-19 3x500PF external components

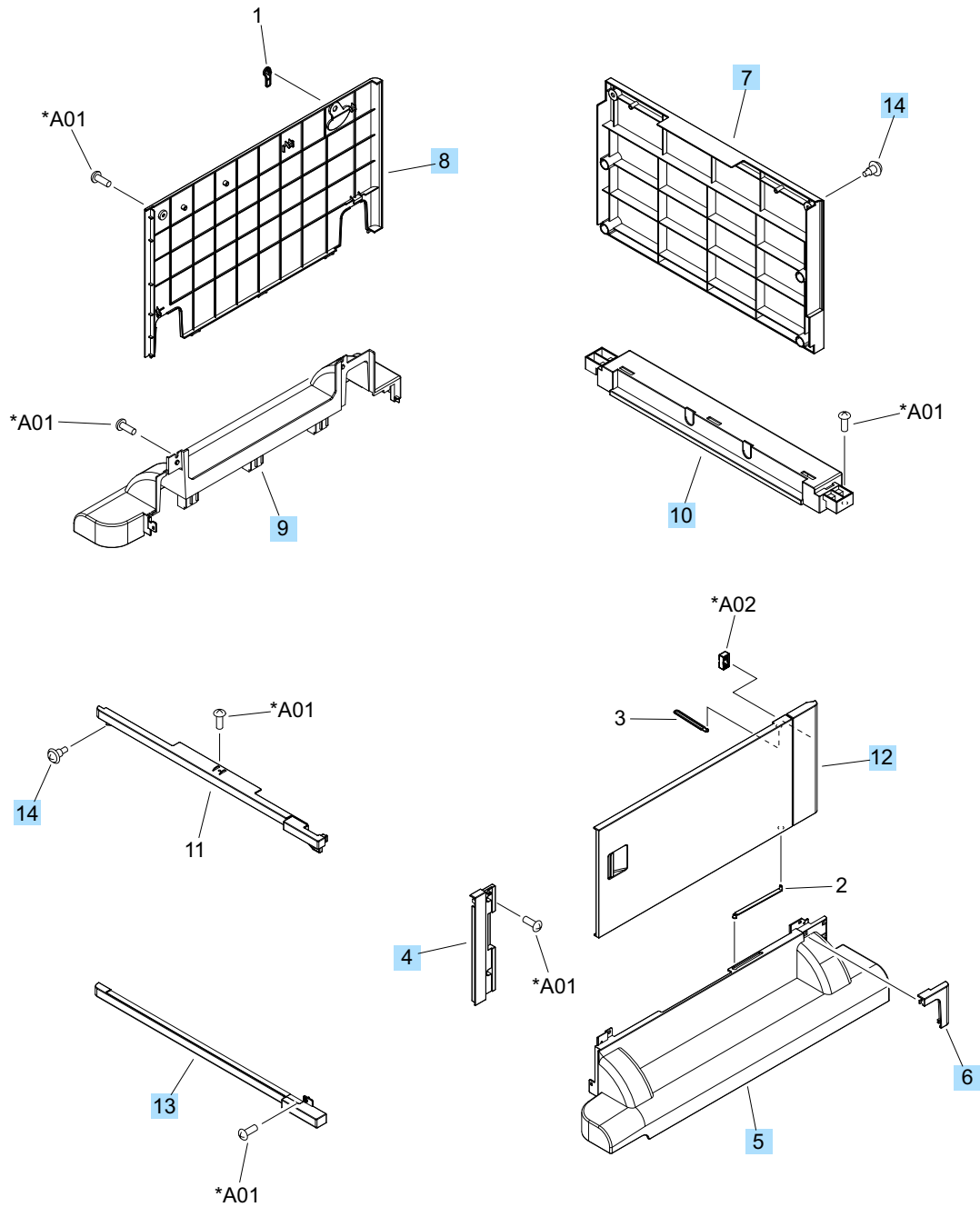


Table 4-23 3x500PF external components

Ref	Description	Part number	Qty
4	Cover, right corner (3x500PF)	RC2-9343-000CN	1
5	Cover, right lower, 1 (3x500PF)	RC2-9346-000CN	1
6	Cover, right lower, 2 (3x500PF)	RC2-9347-000CN	1
7	Cover, rear (3x500PF)	RC2-9348-000CN	1
8	Cover, left (3x500PF)	RC2-9349-000CN	1
9	Cover, left lower (3x500PF)	RC2-9350-000CN	1
10	Cover, rear lower (3x500PF)	RC2-9357-000CN	1
12	Right door assembly (3x500PF)	RM1-6953-000CN	1
13	Front lower cover assembly (3x500PF)	RM1-6958-000CN	1
14	Screw, stepped (3x500PF)	RS5-9099-000CN	3