

Internal components (3 of 9)

Figure 4-5 Internal components (3 of 9)

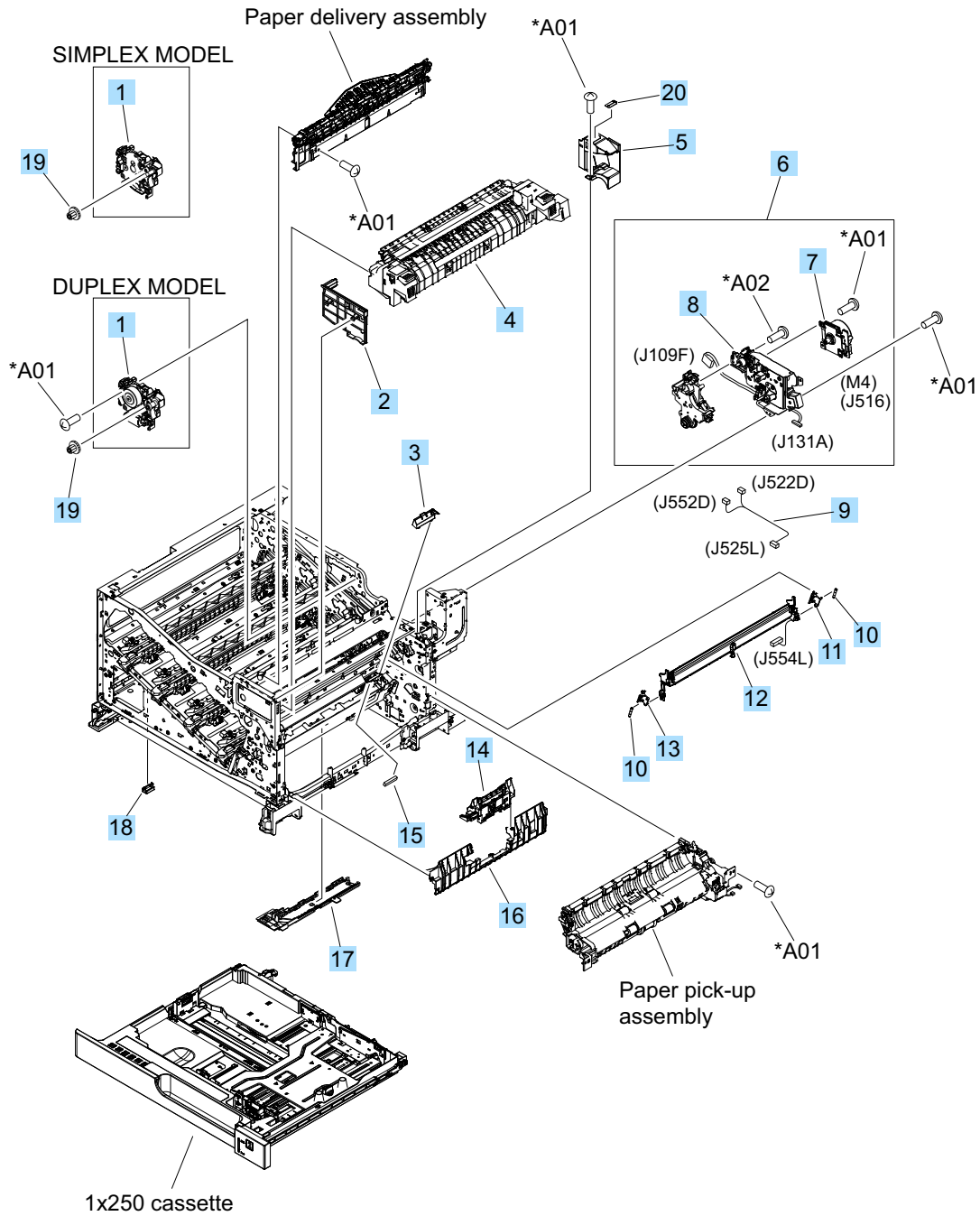


Table 4-9 Internal components (3 of 9)

Ref	Description	Part number	Qty
1	Drive assembly, duplex reverse, duplex model	RM1-6005-000CN	1
1	Drive assembly, simplex reverse, simplex model	RM1-6120-000CN	1
2	Guide, fuser, front	RC2-6546-000CN	1
3	Cover, cable, protective	RC2-6832-000CN	1
4	Fuser assembly, 110V (included in service kit)	RM1-6180-000CN	1
4	Fuser assembly, 220V (included in service kit)	RM1-6181-000CN	1
5	Guide, fuser, rear	RC2-6547-000CN	1
6	Fuser drive assembly	CE707-67904	1
7	Fuser motor assembly	RM1-6074-000CN	1
8	Gear assembly, fuser	RM1-7914-060CN	1
9	Cable, SB joint, low-voltage power supply, duplex model	RM1-6867-000CN	1
10	Spring, tension, registration sensor	RU6-2710-000CN	2
11	Support, frame, rear	RC2-7197-000CN	1
12	Registration sensor assembly	RM1-7922-000CN	1
13	Support, frame, front	RC2-7196-000CN	1
14	Separation roller assembly (included in service kit)	CE710-67907	1
15	Connector, snap tight, black	VS1-7207-019CN	1
16	Guide, paper feed	RC2-7297-000CN	1
17	Sensor, cassette last paper presence	RM1-6164-000CN	1
18	Cover, connector, lower	RC2-6642-000CN	1
19	Gear, 18T/29T	RU6-0775-000CN	1
20	Label, fuser insert	RU6-8042-000CN	1