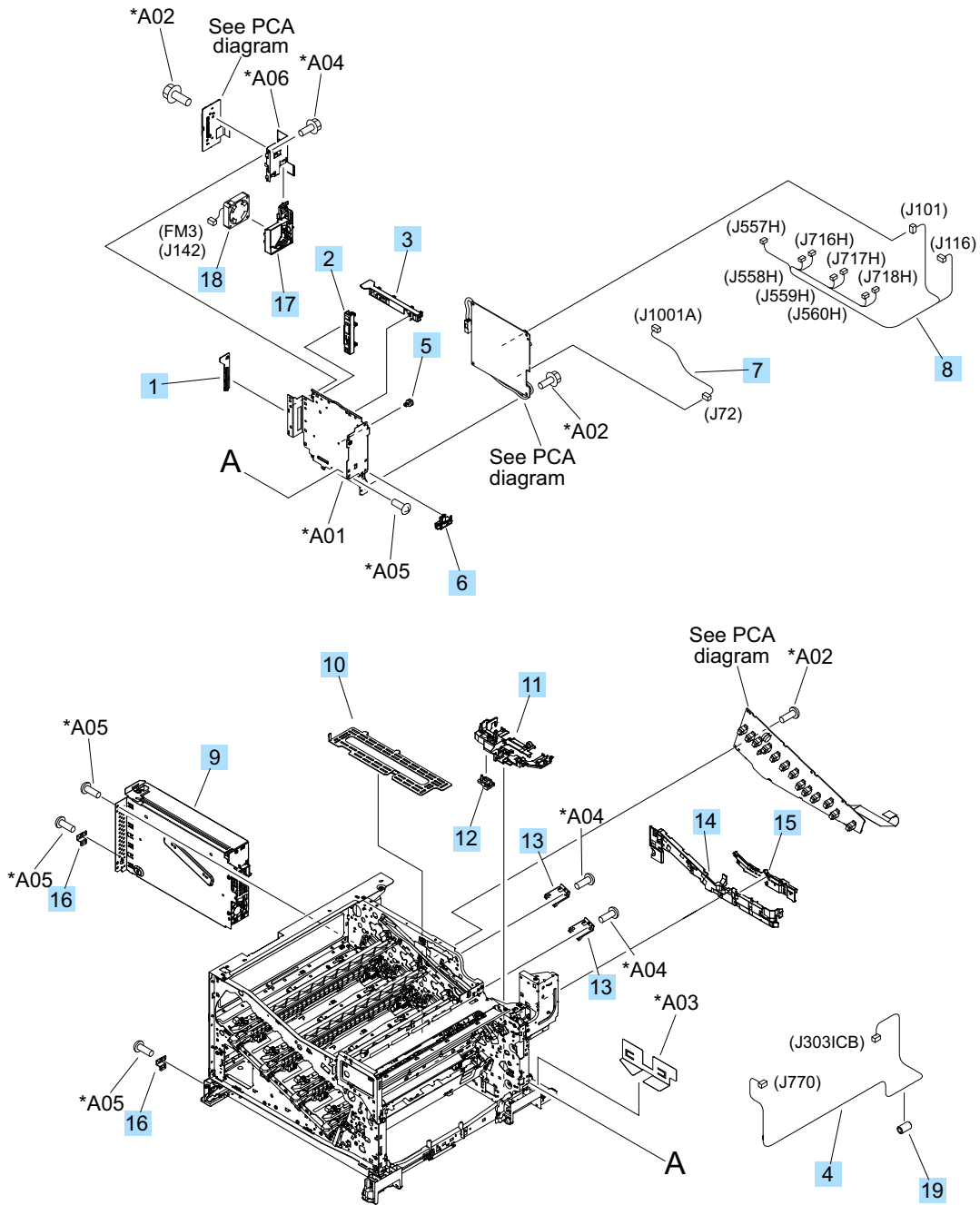


# Internal components (9 of 9)

Figure 4-11 Internal components (9 of 9)



**Table 4-15 Internal components (9 of 9)**

<b>Ref</b>	<b>Description</b>	<b>Part number</b>	<b>Qty</b>
1	Clamp, edge, D	RC2-6674-000CN	1
2	Guide, cable, right	RC2-6842-000CN	1
3	Guide, cable, upper	RC2-6841-000CN	1
4	Cable, PNL-H-HI	RM1-6849-000CN	1
5	Spacer, DC controller PCA	VT2-5176-004CN	5
6	Guide, DC cont. support cable	RC2-6665-000CN	1
7	Cable, primary transfer	RM1-6822-000CN	1
8	Cable, rear	RM1-6863-000CN	1
9	Formatter case	RM1-6065-000CN	1
10	Plate, FFC protective	RC2-9687-000CN	1
11	Holder, paper pick-up connector	RC2-6638-000CN	1
12	Connector, 8-pin, paper-pick-up	VS1-7514-008CN	1
13	Plate, box pillar	RC2-6673-000CN	2
14	Guide, imaging HVT cable	RC2-6661-000CN	1
15	Cover, imaging HVT cable	RC2-6573-000CN	1
16	Cross-member, cover, left	RC2-6760-000CN	2
17	Holder, formatter fan	RC2-6648-000CN	1
18	Fan, formatter	RK2-3301-000CN	1
19	Core, ring	WE8-6639-000CN	1