

Paper feeder cassette

Figure 4-14 Cassette

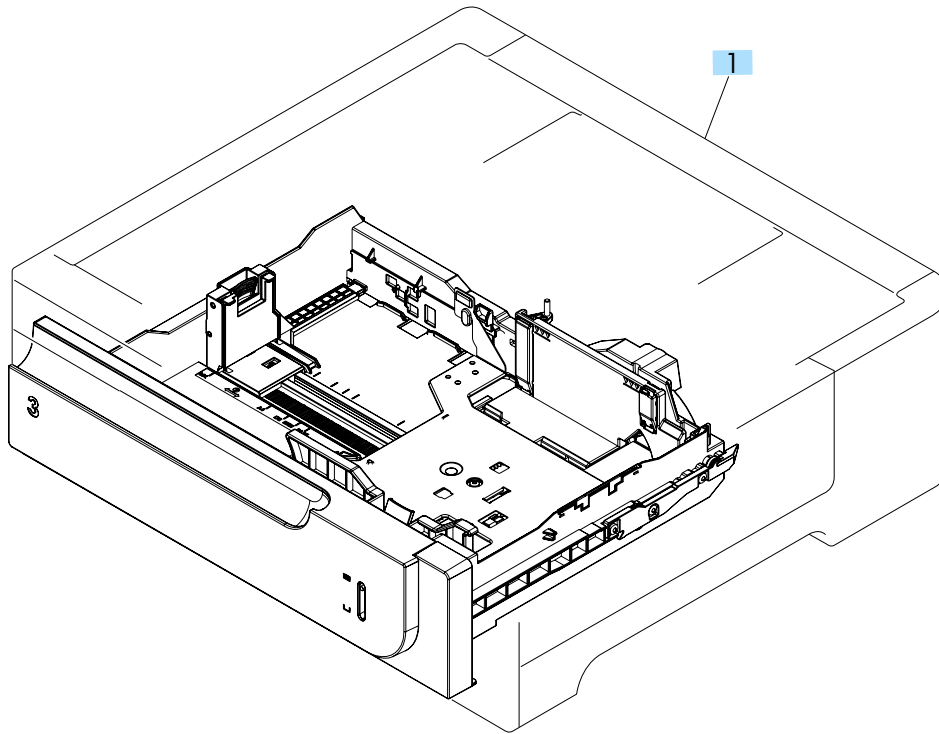


Table 4-15 Cassette

Ref	Description	Part number	Qty
1	Cassette assembly (Tray 3)	RM1-6198-000CN	1