

Covers

Figure 4-1 External covers, panels, and doors

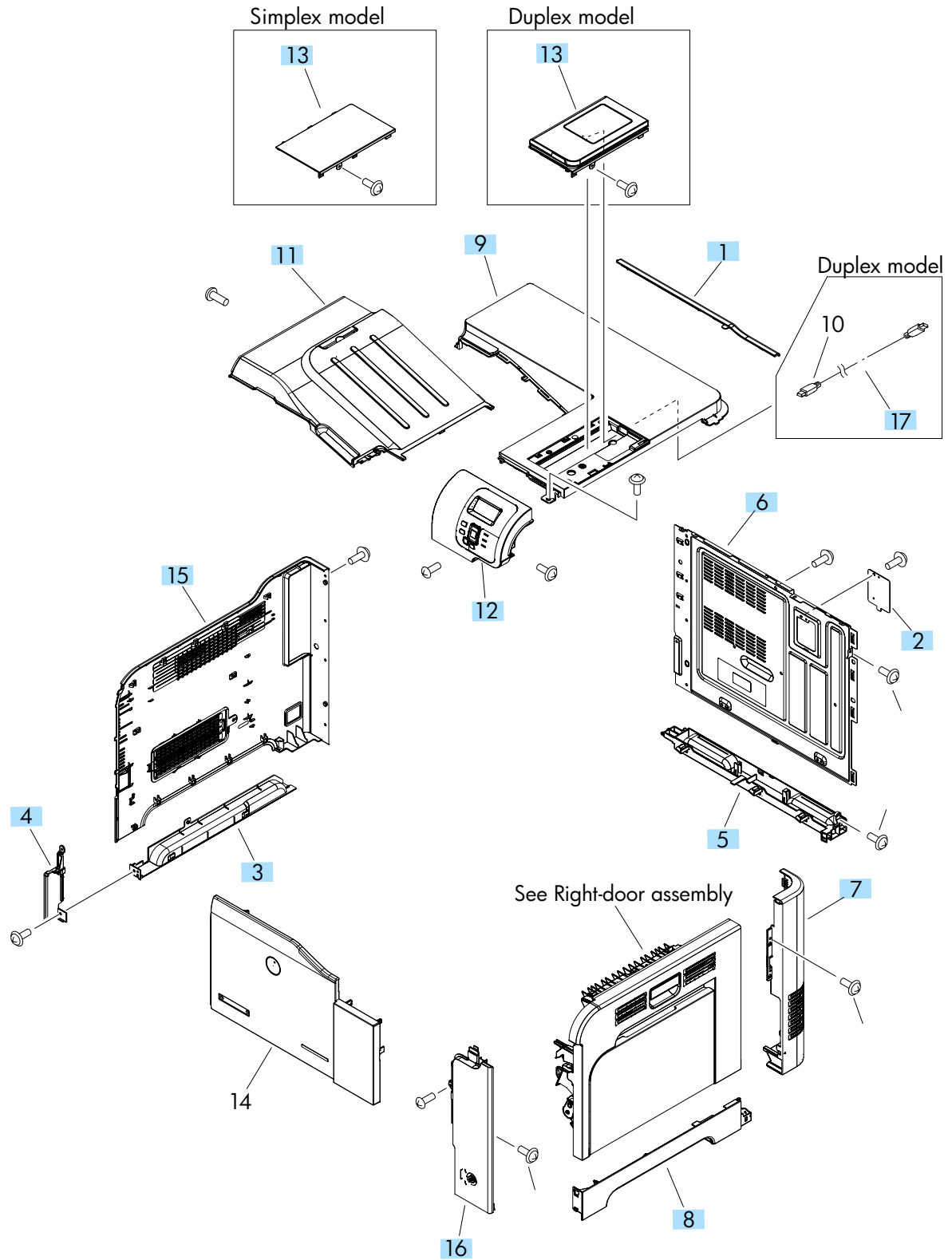


Table 4-2 External covers, panels, and doors

Ref	Description	Part number	Qty
1	Cover, rear upper	RC2-5058-000CN	1
2	Plate, blanking	RC2-5938-000CN	1
3	Cover, left lower	RC3-1112-000CN	1
4	Cover, left front	RC3-1113-000CN	1
5	Cover, rear lower	RC3-1114-000CN	1
6	Cover, rear	RC3-1115-000CN	1
7	Cover, right rear	RC3-1116-000CN	1
8	Cover, right lower	RC3-1117-000CN	1
9	Cover, upper	RC3-1118-000CN	1
11	Tray, paper delivery	RL1-1941-030CN	1
12	Operation (control) panel assembly	RM1-8096-000CN	1
13	Cover, USB (simplex)	RC3-1093-000CN	1
13	Cover, USB (duplex)	RM1-8173-000CN	1
15	Cover, left assembly	RM1-8159-000CN	1
16	Cover, right-front assembly	RM1-8165-000CN	1