

Internal assemblies (2 of 5)

Figure 4-4 Internal assemblies (2 of 5)

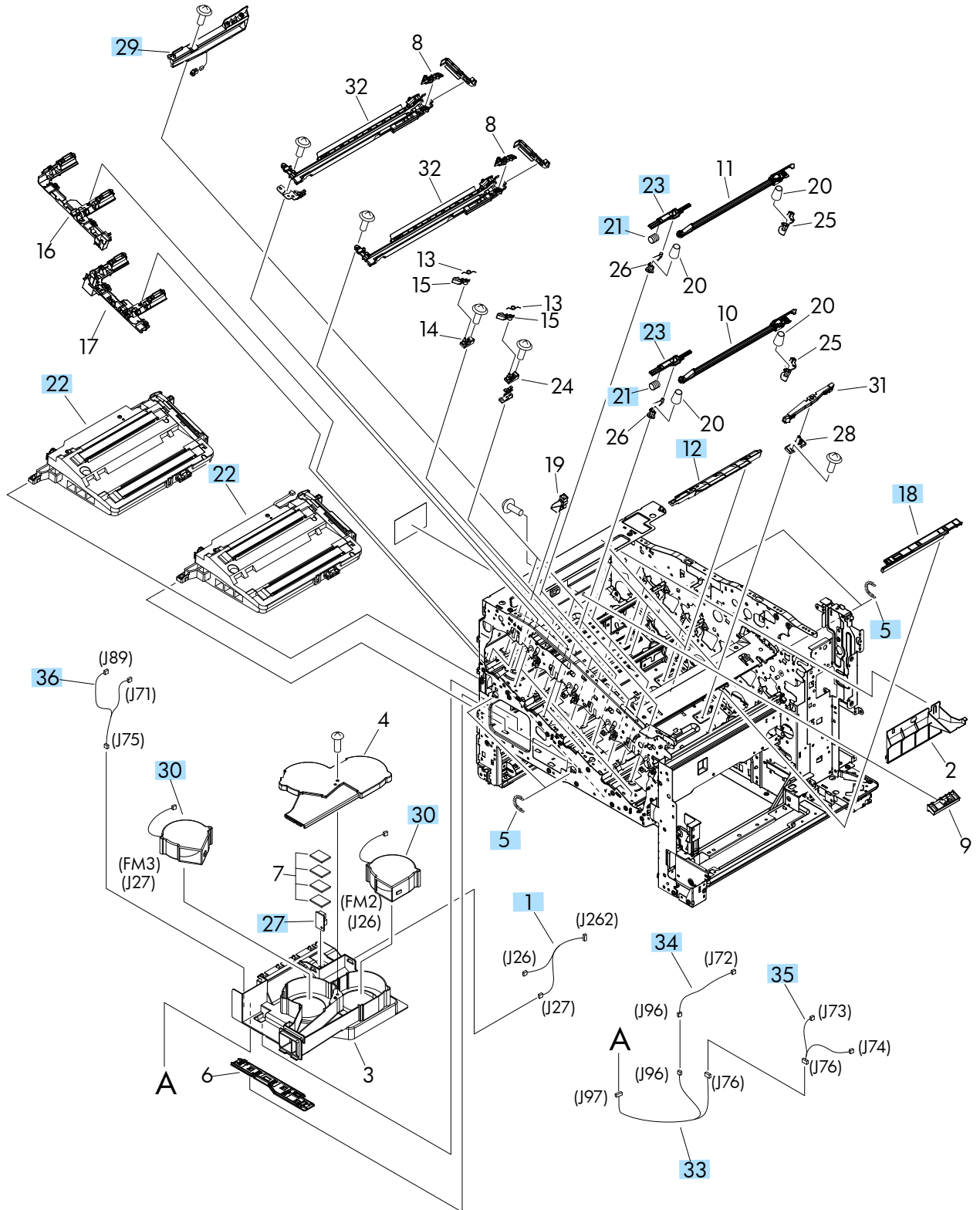


Table 4-5 Internal assemblies (2 of 5)

Ref	Description	Part number	Qty
1	Fan cable assembly	RM1-5746-000CN	1
5	Spring, tension	RU6-2436-000CN	2
12	Cover	RC2-5912-000CN	3
18	Cover	RC2-5962-000CN	1
21	Spring, compression	RU6-2316-000CN	2
23	Lever, shutter	RC2-4415-000CN	2
27	Temperature sensor assembly	RK2-3267-000CN	1
29	Toner sensor holder assembly	RM1-5700-000CN	4
30	Fan (FM2, FM3)	RK2-2418-000CN	2
33	Connecting cable assembly	RM1-5749-000CN	1
34	Sensor cable assembly	RM1-5740-000CN	1
35	Sensor cable assembly	RM1-5741-000CN	1
36	Motor/sensor cable assembly	RM1-5752-000CN	1