

Internal assemblies (5 of 5)

Figure 4-7 Internal assemblies (5 of 5)

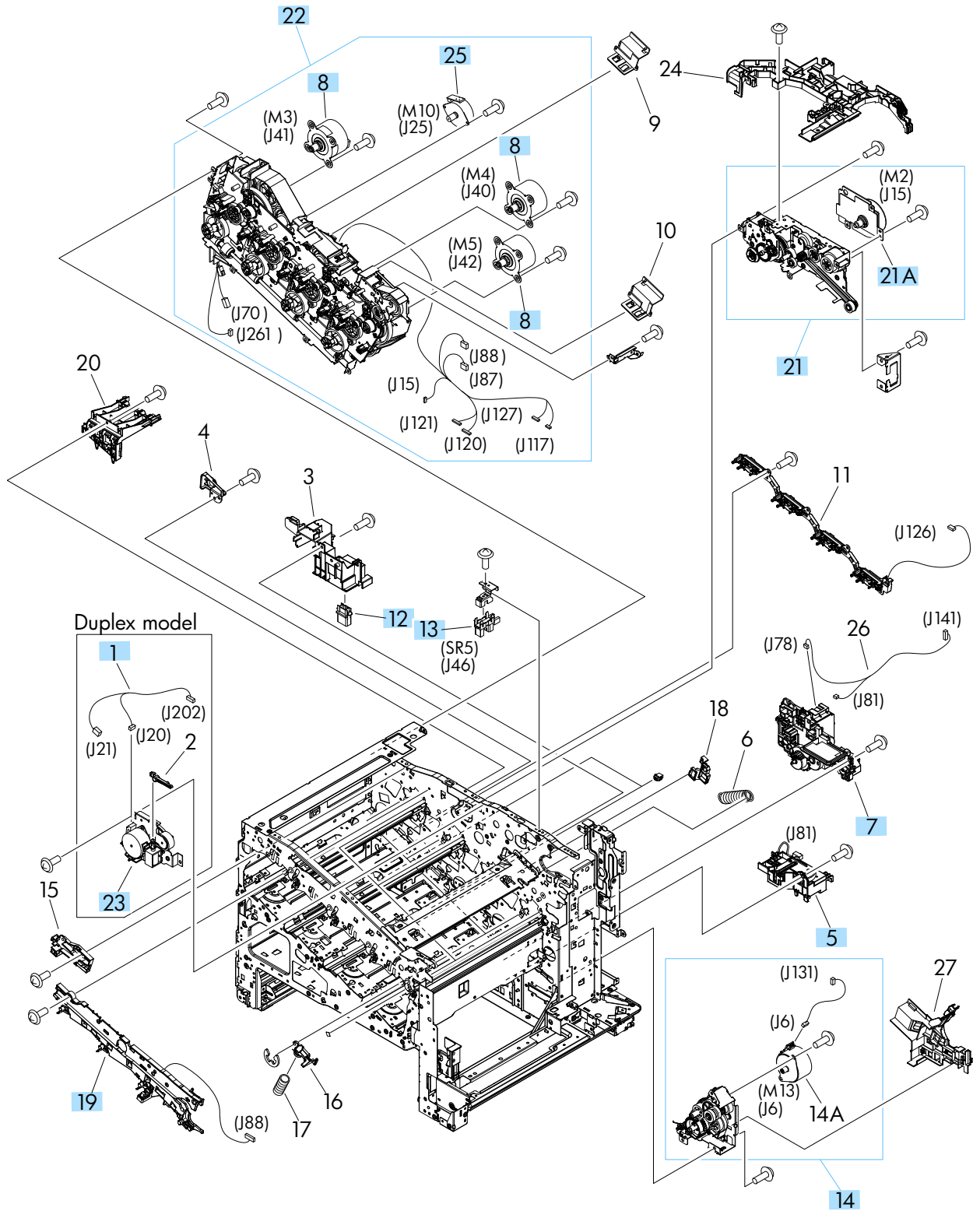


Table 4-8 Internal assemblies (5 of 5)

Ref	Description	Part number	Qty
1	Duplexing unit cable assembly	RM1-5730-000CN	1
5	Auto close assembly	RM1-8137-000CN	1
7	Lifter drive assembly	RM1-8136-000CN	1
8	Main motor unit (M3, M4, M5)	RM1-8105-000CN	3
12	Connector, drawer	VS1-7258-007CN	1
13	Photo interrupter, TLP1243	WG8-5935-000CN	1
14	Cassette paper pick up drive assembly (M13)	RM1-8135-000CN	1
14A	Pickup motor assembly (M13)	RM1-5773-000CN	1
19	Rear Pre-exposure PCA assembly	RM1-5705-000CN	1
21	Fusing (fixing) drive assembly (simplex)	RM1-8169-000CN	1
21	Fusing (fixing) drive assembly (duplex)	RM1-8134-000CN	1
22A	Fusing (fixing) motor assembly (M2)	RM1-4983-000CN	1
23	Duplexing drive assembly	RM1-4973-000CN	1
25	Stepping motor, DC (developing disengagement; M10)	RK2-2415-000CN	1