

Paper pickup assembly

Figure 4-9 Paper pickup assembly

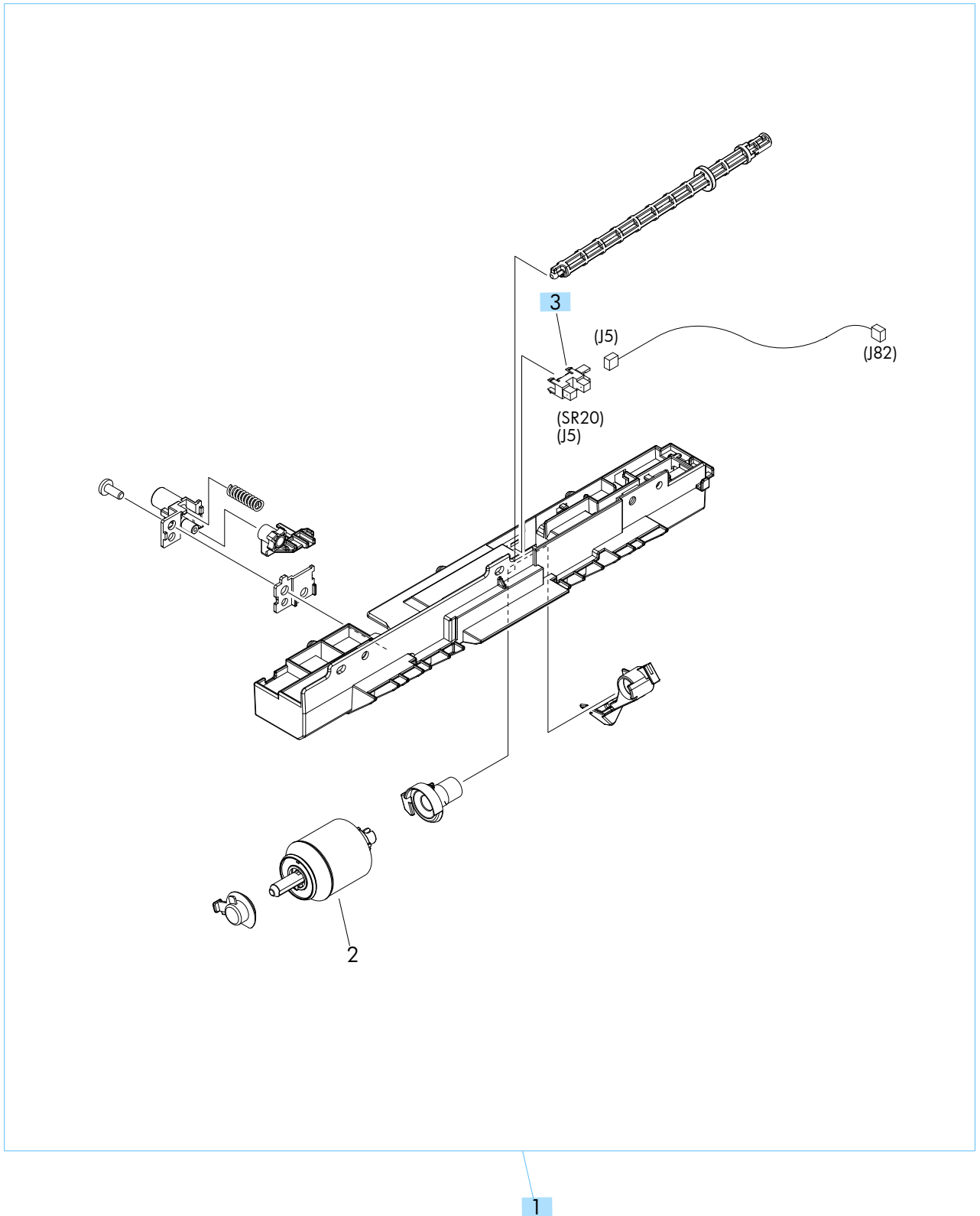


Table 4-10 Paper pickup assembly

Ref	Description	Part number	Qty
1	Paper pickup assembly (simplex)	RM1-8168-000CN	1
1	Paper pickup assembly (duplex)	RM1-8124-000CN	1
3	Photointerrupter	WG8-5935-000CN	1