

PCAs

Figure 4-10 PCAs

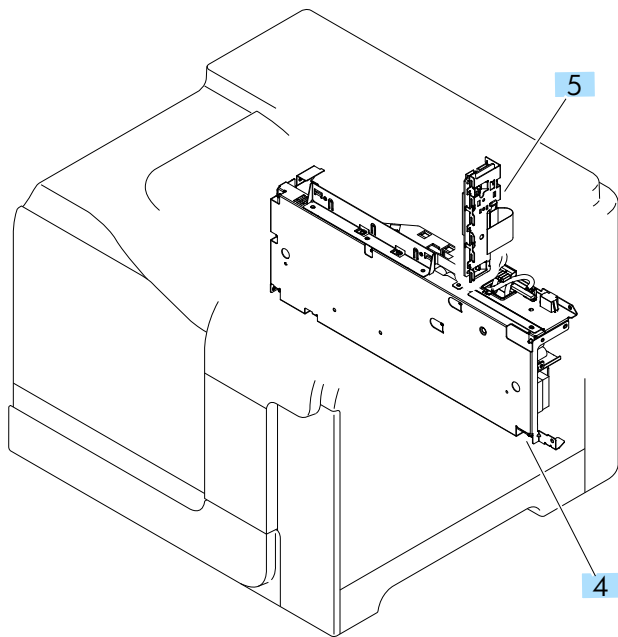
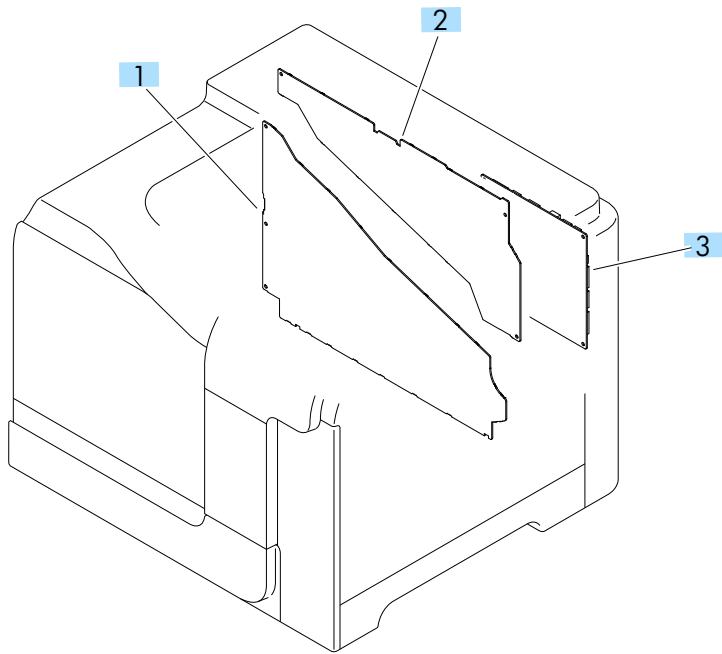


Table 4-11 PCAs

Ref	Description	Part number	Qty
1	Lower HVPS-D PCA	RM1-8087-000CN	1
2	Upper HVPS-T PCA (simplex)	RM1-8089-000CN	1
2	Upper HVPS-T PCA (duplex)	RM1-8088-000CN	1
3	DC controller PCA	RM1-8104-000CN	1
4	Low-voltage power supply 110V	RM1-8091-000CN	1
4	Low-voltage power supply 220V	RM1-8093-000CN	1
5	Inner connecting PCA (ICB)	RM1-8143-000CN	1
Not shown	Formatter assembly kit (exchange)	CF081-69001	1
Not shown	Formatter assembly kit (China)	CF081-67912	1