

Internal components (5 of 5)

Figure 2-8 Internal components (5 of 5)

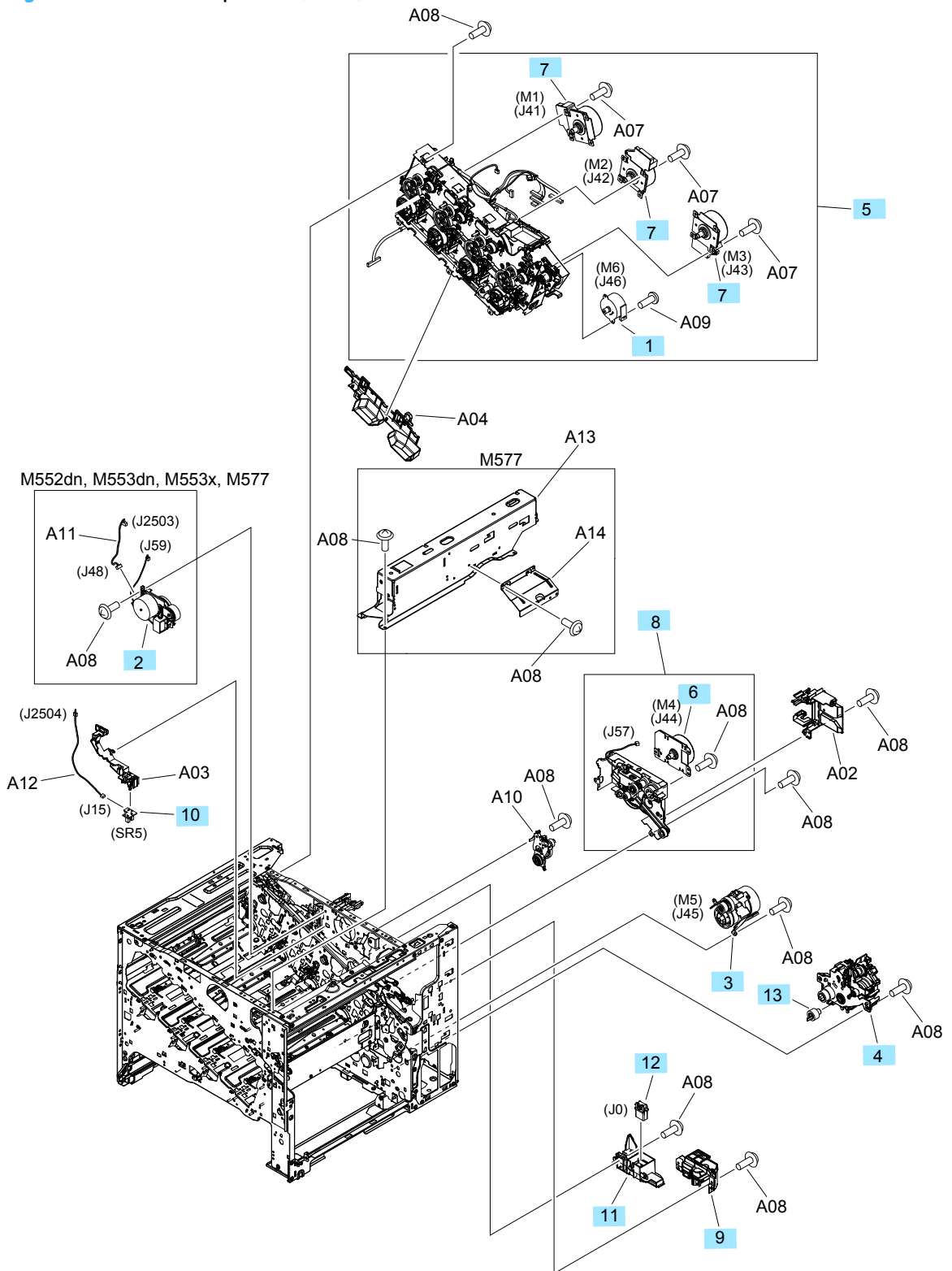


Table 2-11 Internal components (5 of 5)

Ref	Description	Part number	Qty
1	Motor, stepping (M6)	RK2-6027-000CN	1
2	Duplexing drive assembly (M7, CL2; M552dn, M553dn, M553x)	RM2-0006-000CN	1
3	Paper pickup drive assembly (M5)	RM2-0008-000CN	1
4	Lifter drive assembly (CL1)	RM2-0010-000CN	1
5	Main motor drive assembly	B5L25-67902	1
6	Motor assembly, fuser (M4)	RM2-0077-000CN	1
7	Motor assembly, drum (M1, M2, M3)	RM2-0078-000CN	3
8	Fuser drive assembly (M553n)	RM2-0091-000CN	1
8	Fuser drive assembly (M552dn, M553dn, M553x, M577)	RM2-0009-000CN	1
9	Auto close assembly	RM2-5147-000CN	1
10	Estrangement detect PCA assembly (SR5)	RM2-7157-000CN	1
11	Holder, OP Drawer	RC4-0445-000CN	1
12	Connector, drawer	VS1-7258-000CN	1
13	Gear 18T	RU8-0577-000CN	1