

Parts and diagrams: Internal components

Internal components (1 of 5)

Figure 2-4 Internal components (1 of 5)

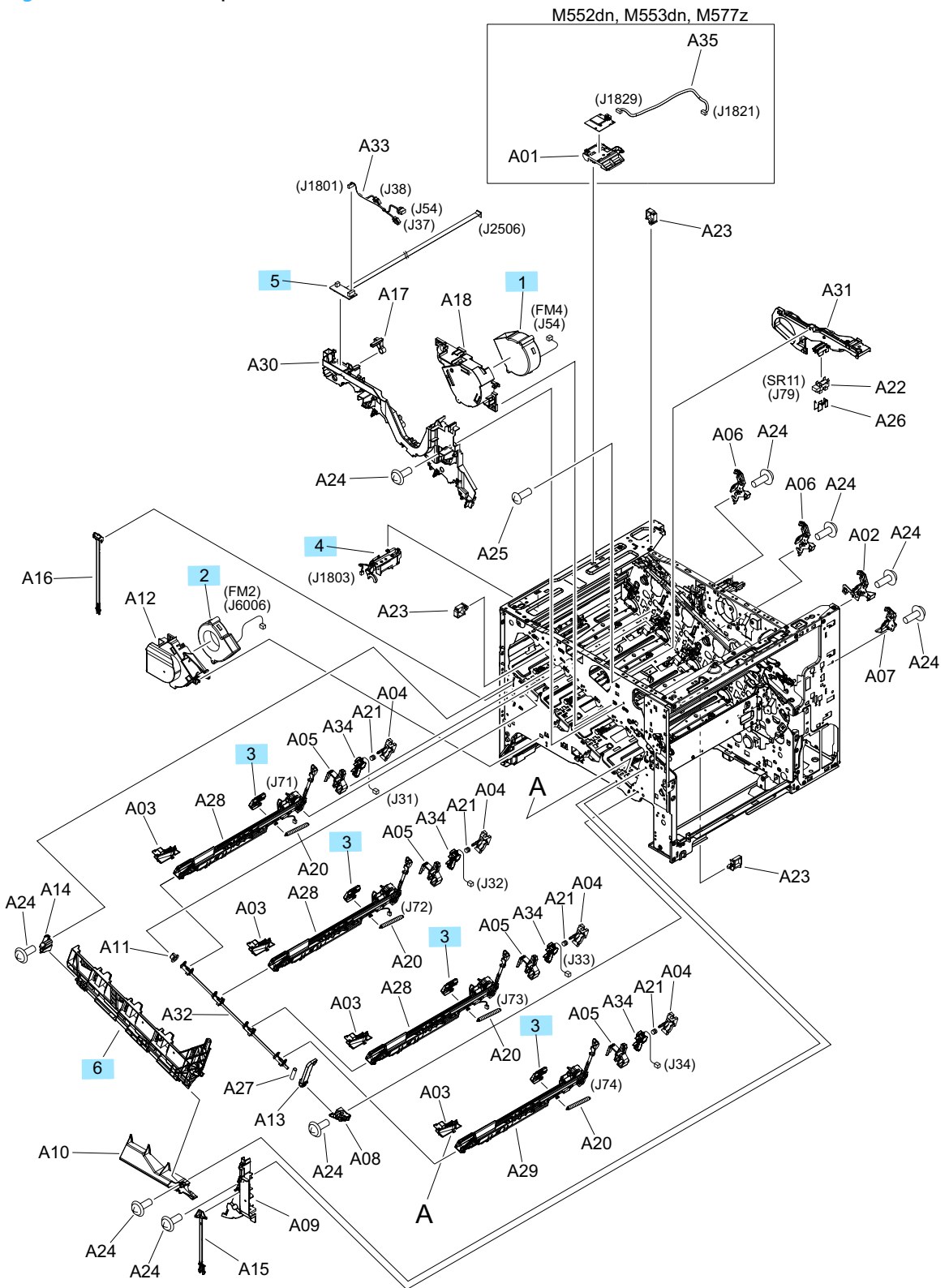


Table 2-7 Internal components (1 of 5)

| Ref | Description | Part number | Qty |
|------------|--|--------------------|------------|
| 1 | Fan, fuser (FM4) | RK2-2418-000CN | 1 |
| 2 | Fan, cartridge (FM2) | RK2-6124-000CN | 1 |
| 3 | Glass cleaner assembly, dust-proof | RM2-0086-000CN | 4 |
| 4 | Waste toner detect PCA assembly | RM2-7130-000CN | 1 |
| 5 | Connecting PCA assembly | RM2-7156-000CN | 1 |
| 6 | Inner door | RL2-0013-010CN | 1 |
| Not shown | Wireless PCA, embedded | 1150-7968 | 1 |
| Not shown | Near field communication (NFC) PCA, embedded (M553x) | B5L24-60002 | 1 |
| Not shown | Near field communication (NFC) PCA, embedded (M577z) | B5L24-60001 | 1 |