

Document feeder and scanner assemblies (M575dn and 575f models)

Figure 2-4 Document feeder and scanner assemblies (M575dn and 575f models)

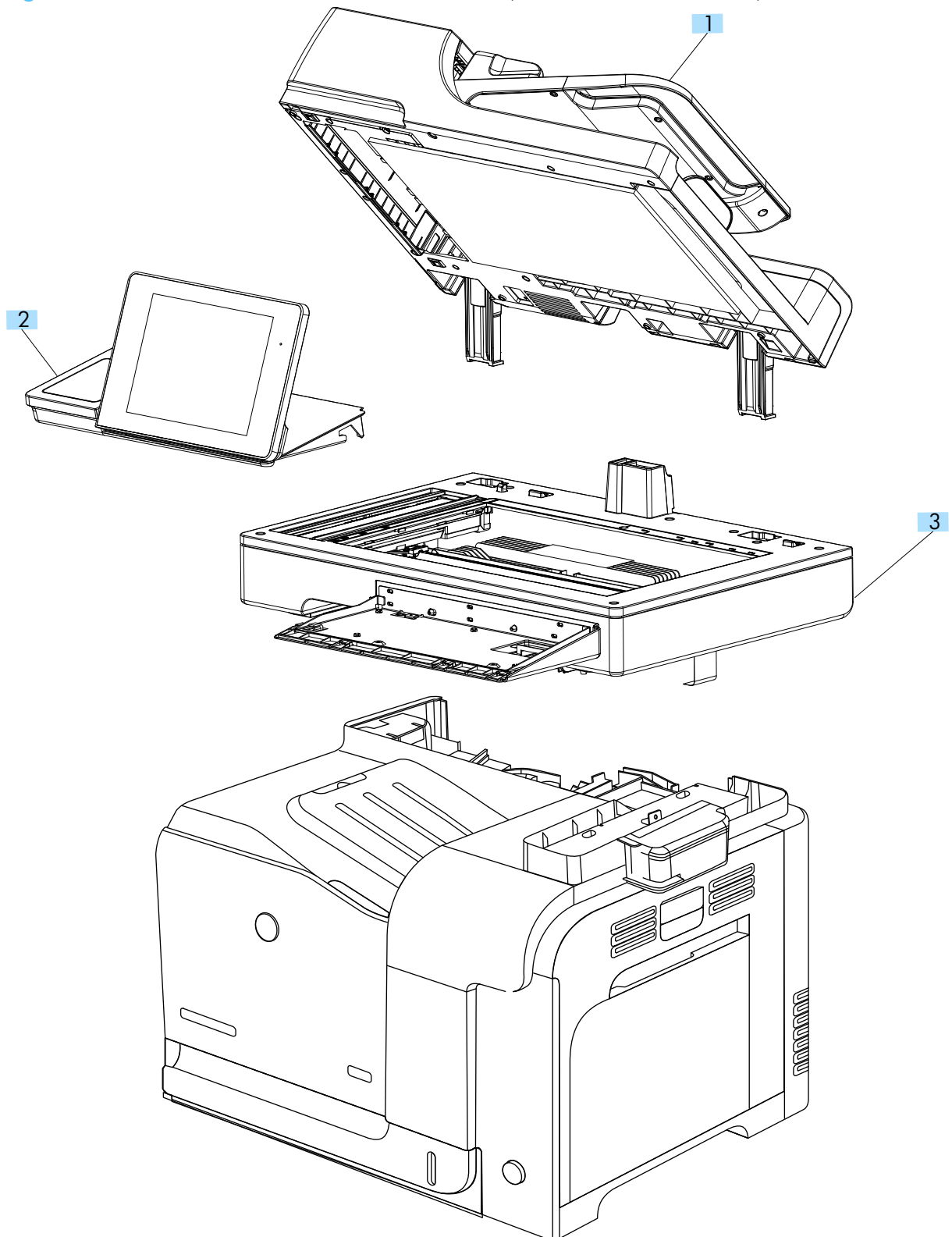


Table 2-6 Document feeder and scanner assemblies (M575dn and 575f models)

Ref	Description	Part number	Qty
1	ADF whole unit	CD644-67918	1
2	Control panel	CD644-67916	1
3	Scanner whole unit	CD644-67922	1
Not Shown	PCA, scanner control board	CD644-67926	1