

ADF assemblies

Figure 2-8 ADF assemblies

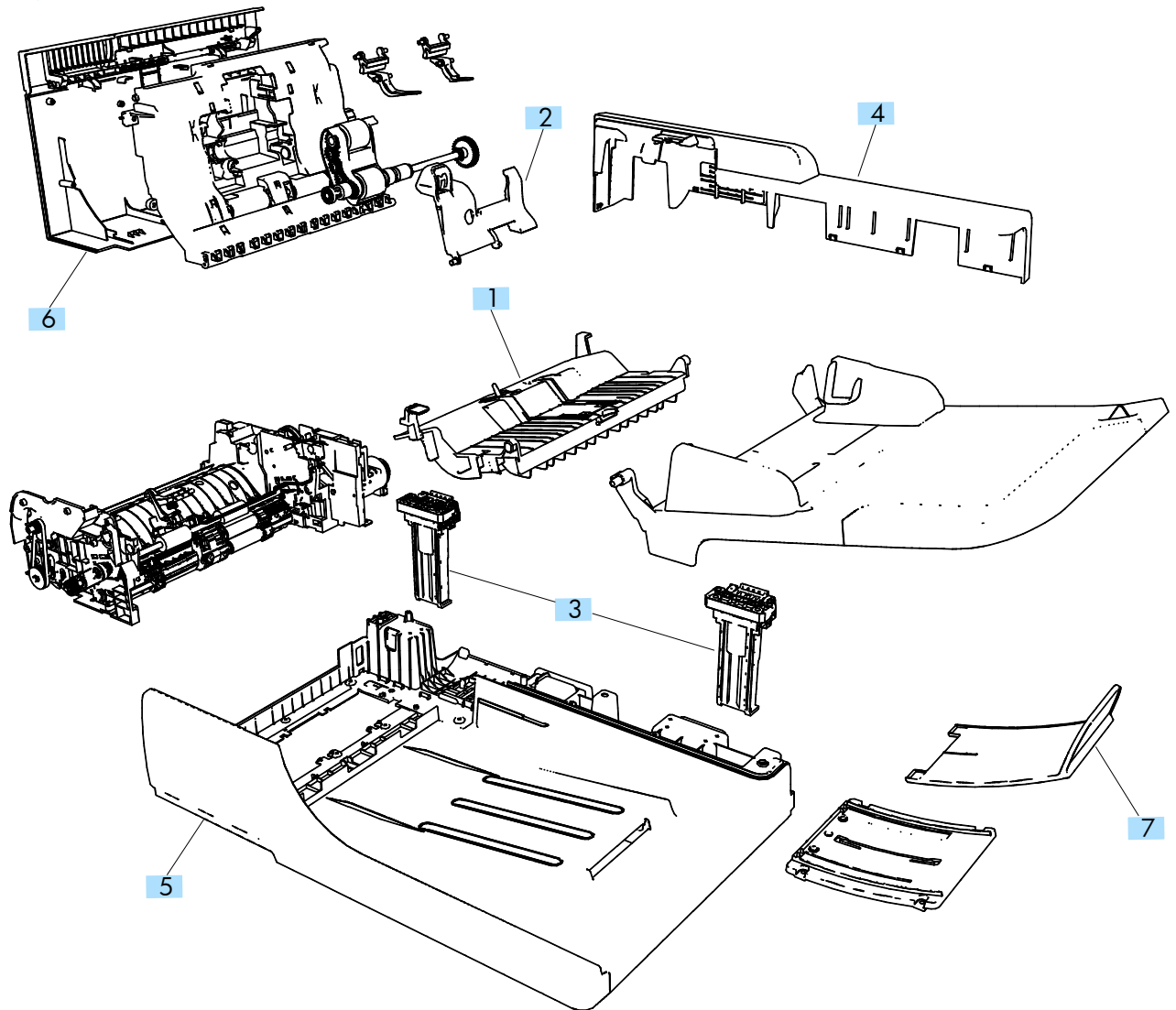


Table 2-10 ADF assemblies

Ref	Description	Part number	Qty
1	ADF separation pad spring	5851-4879	1
2	ADF roller cover	CC355-40013	1
3	ADF hinge assembly	Q7404-60024	2
4	Cover, ADF rear	Q7404-40007	1
5	Cover, ADF front	Q7404-40030	1
6	Cover, hatch	Q7404-40006	1
7	ADF tray extender	Q7404-40020	1