

Internal assemblies (4 of 6)

Figure 2-14 Internal assemblies (4 of 6)

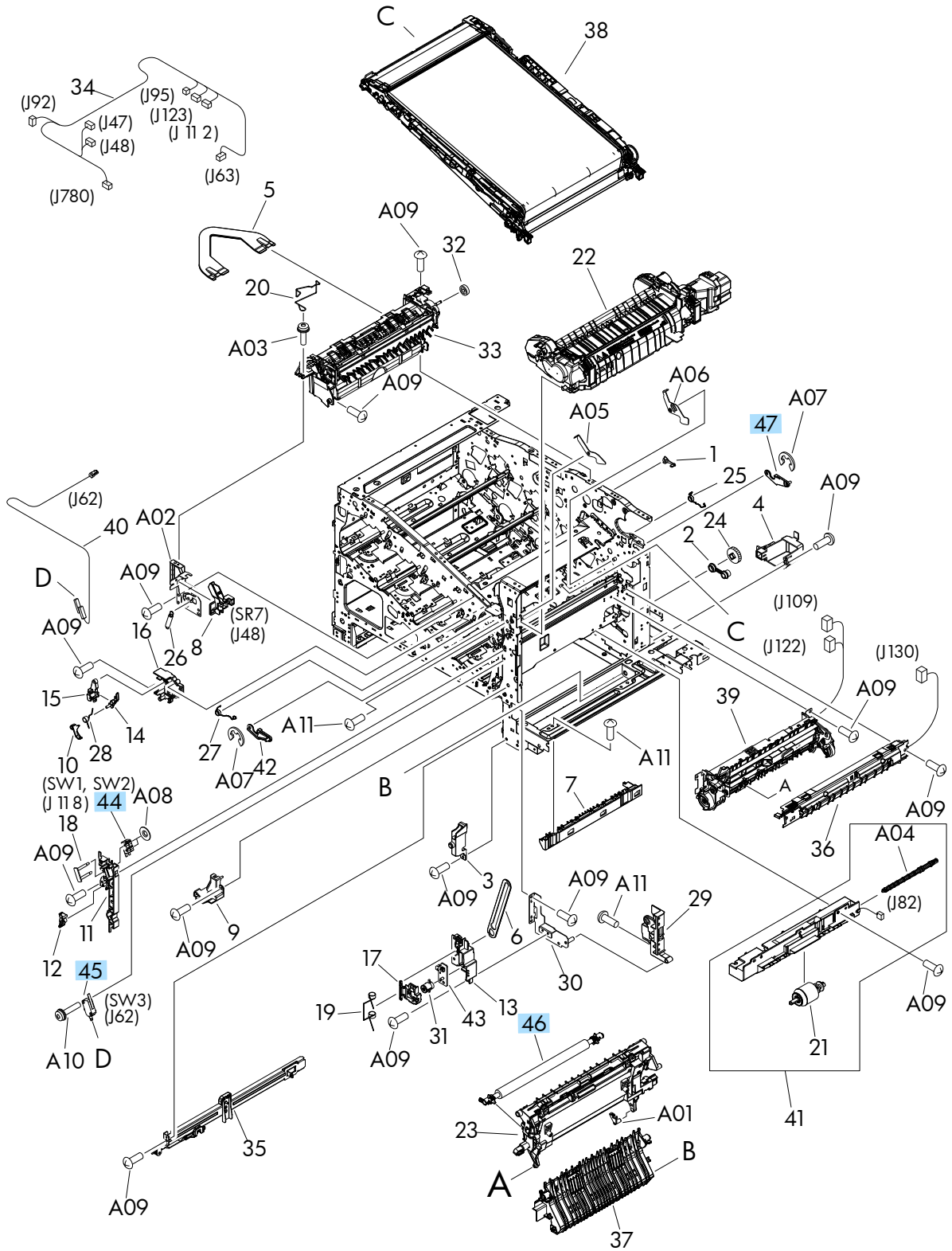


Table 2-16 Internal assemblies (4 of 6)

Ref	Description	Part number	Qty
44	Door switch assembly (SW2)	RM1-5732-000CN	1
45	Microswitch (SW3)	WC4-5171-000CN	1
46	Secondary transfer roller	CD644-67914	1
47	Rear lock arm assembly	RM1-5533-000CN	1