

PCAs

Figure 2-19 PCAs

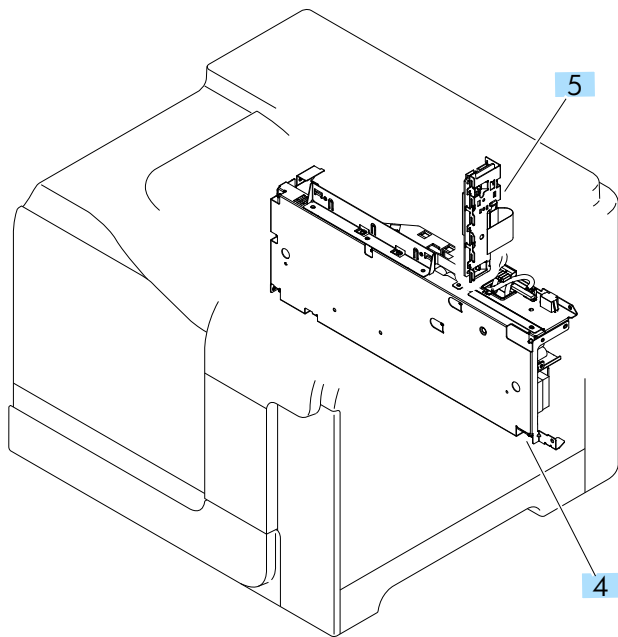
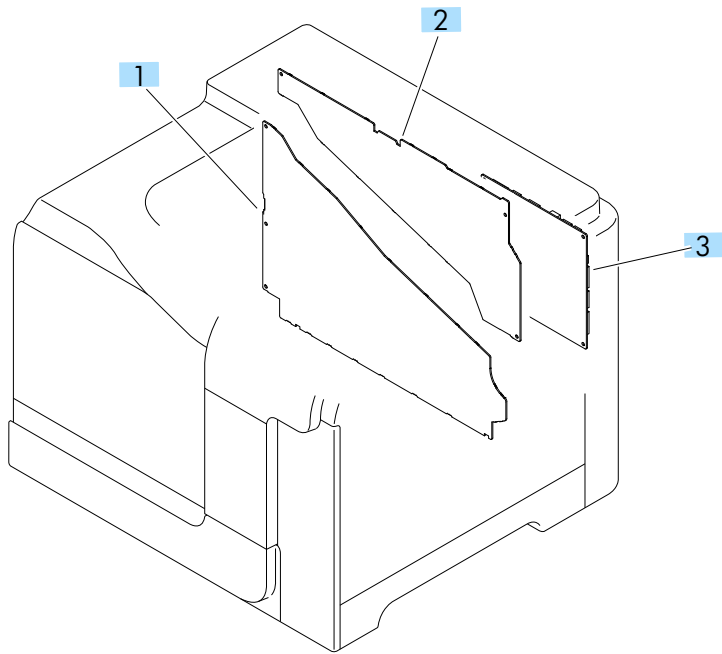


Table 2-21 PCAs

Ref	Description	Part number	Qty
1	Lower HVPS-D PCA	RM1-8087-000CN	1
2	Upper HVPS-T PCA	RM1-8088-000CN	1
3	DC controller PCA	RM1-8104-000CN	1
4	Low-voltage power supply 110V	RM1-8102-000CN	1
4	Low-voltage power supply 220V	RM1-8103-000CN	1
5	Inner connecting PCA (ICB)	RM1-8143-000CN	1
Not shown	Formatter assembly kit (New)	CD644-67909	1
Not shown	Formatter assembly kit (China)	CD644-67910	1