

Covers (M577)

Figure 2-3 Covers (M577)

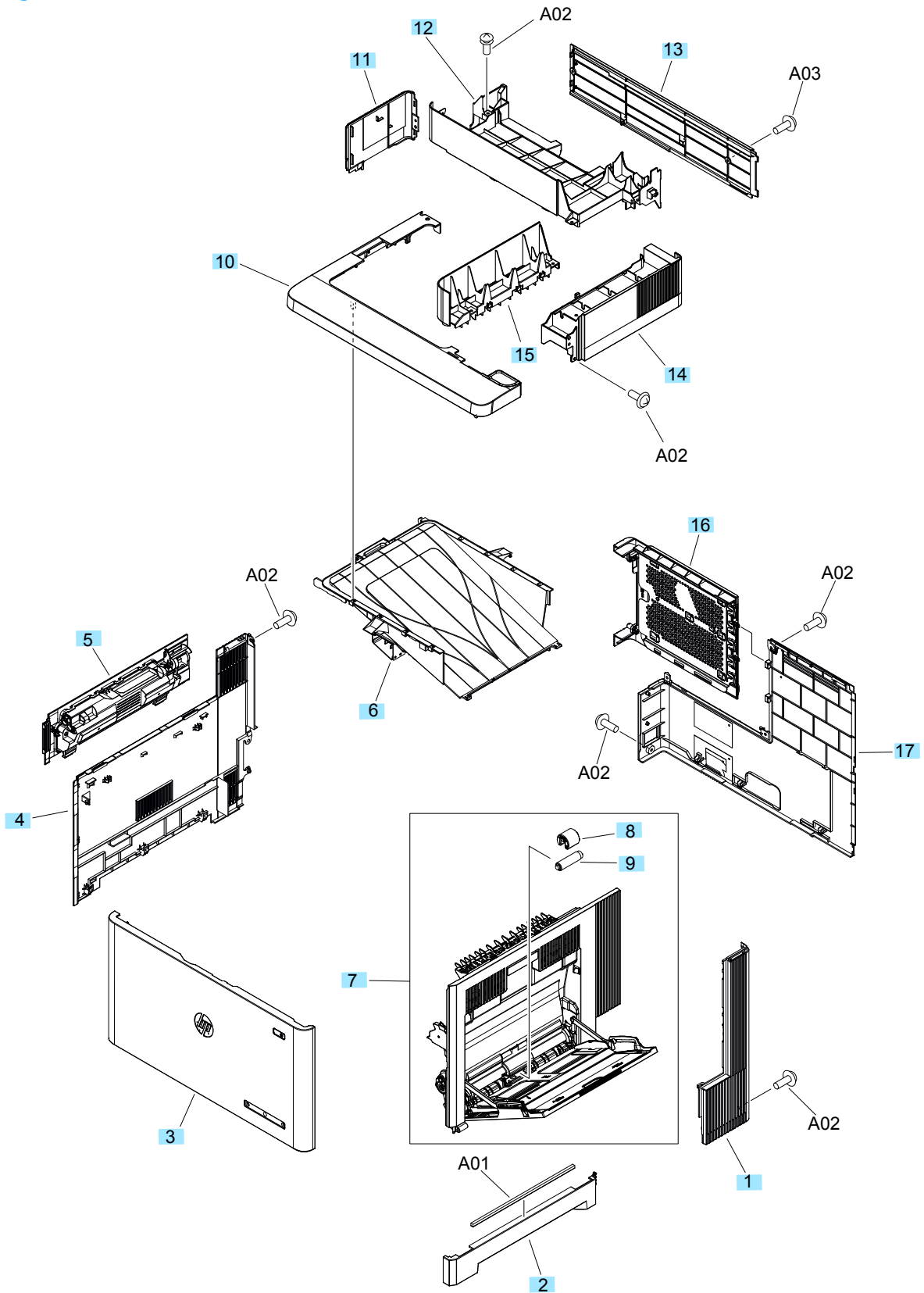


Table 2-6 Covers (M577)

Ref	Description	Part number	Qty
1	Cover, right rear	RC4-0178-000CN	1
2	Handle, right	RC4-0183-000CN	1
3	Cover, front (M577)	B5L46-67906	1
4	Cover, left	RC4-0179-000CN	1
5	Toner collection unit	B5L37-67901	1
6	Output bin	RM2-0044-000CN	1
7	Right door assembly	RM2-0019-000CN	1
8	Roller, pickup, Tray 1 (part of Tray 1 roller kit)	B5L24-67905	1
9	Roller, separation, Tray 1 (part of Tray 1 roller kit)	B5L24-67905	1
10	Cover, top (M577)	RL2-0769-000CN	1
11	Cover, left upper (M577)	RL2-0770-000CN	1
12	Cover, top rear (M577)	RC4-3383-000CN	1
13	Cover, rear upper (M577)	RL2-0771-000CN	1
14	Cover, right upper (M577)	RL2-0772-000CN	1
15	Cover, paper feed (M577)	RC4-3382-000CN	1
16	Cover, formatter	RM2-0084-000CN	1
17	Cover, rear	RM2-0085-000CN	1