

2,500-sheet paper feeder HCI components (1 of 2)

Figure 2-22 2,500-sheet paper feeder HCI components (1 of 2)

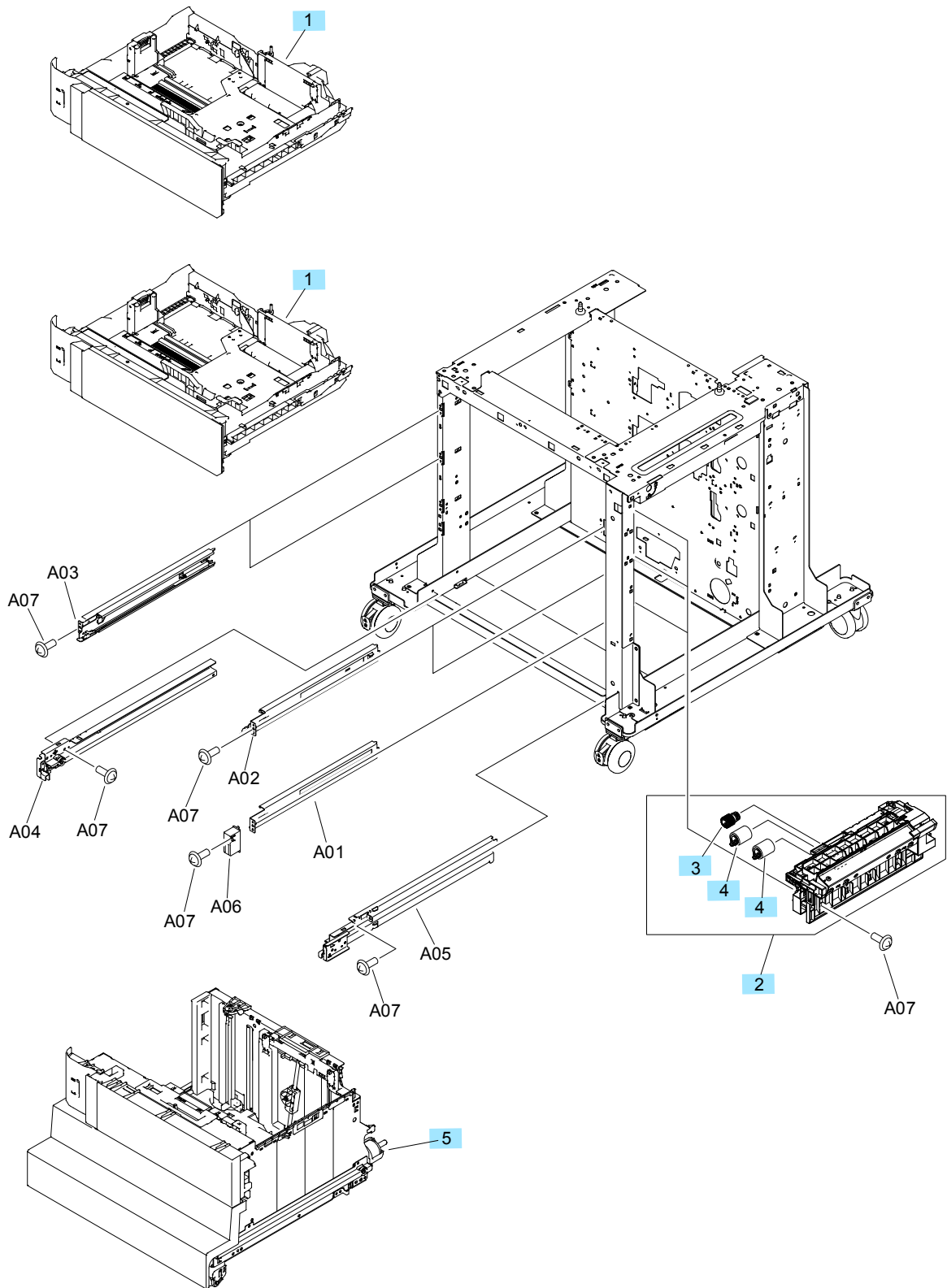


Table 2-28 2,500-sheet paper feeder HCI components (1 of 2)

Ref	Description	Part number	Qty
1	Tray	RM2-0340-000CN	2
2	Assembly, paper-pickup (2,500-sheet paper feeder HCI)	RM2-0341-000CN	3
3	Roller, paper pickup	RL1-2099-000CN	3
4	Roller, paper feed/separation (part of Tray 2-5 feed/separation roller kit)	CC493-67907	6
5	Assembly, tray	RM2-0351-000CN	1