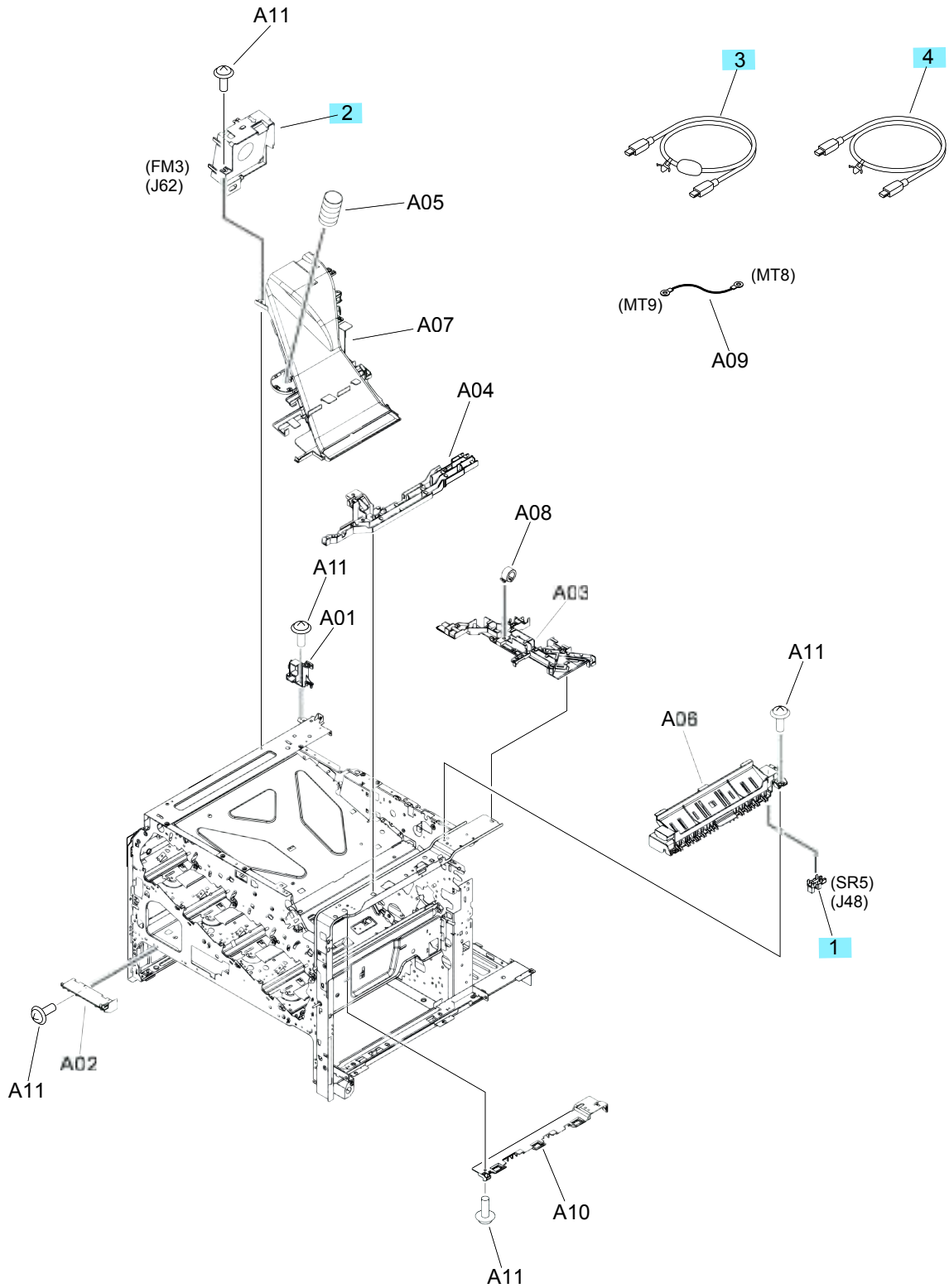


# Internal assemblies

## Internal assemblies (M651)

Figure 2-9 Internal assemblies (M651)



**Table 2-15 Internal assemblies (M651)**

<b>Ref</b>	<b>Description</b>	<b>Part number</b>	<b>Qty</b>
1	Photointerrupter	WG8-5935-000CN	1
2	Assembly, paper-delivery fan (M651)	RM1-5501-000CN	1
3	Cable, USB, IS	RK2-5077-000CN	1
4	Cable, USB, SH	RK2-5078-000CN	1