

Internal assemblies (4 of 6)

Figure 2-14 Internal assemblies (4 of 6)

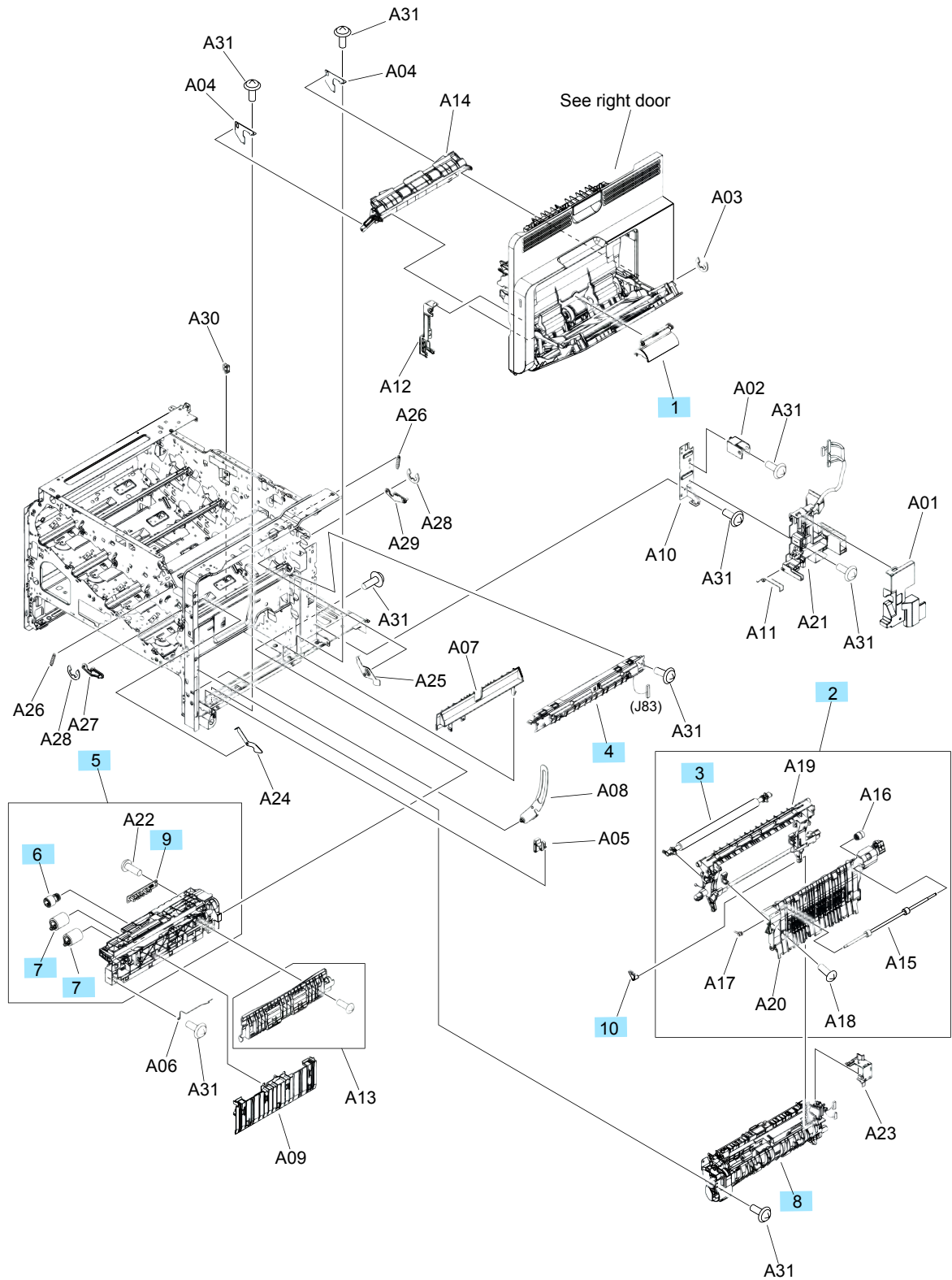


Table 2-20 Internal assemblies (4 of 6)

Ref	Description	Part number	Qty
1	Cover, roller	RC3-5630-000CN	1
2	Assembly, secondary transfer	RM1-5564-040CN	1
3	Kit, secondary transfer (T2) roller	CC493-67908	1
4	Assembly, registration density (RD) sensor	RM1-5641-000CN	1
5	Assembly, paper-pickup	RM1-5919-000CN	1
6	Roller, paper pickup	RL1-2099-000CN	1
7	Roller, paper feed/separation (part of Tray 2-5 feed/separation roller kit)	CC493-67907	2
8	Kit, registration assembly	CZ255-67904	1
9	Assembly, paper sensor PCA	RM1-5853-000CN	1
10	Shaft, support	RC2-4162-000CN	1