

Parts and diagrams: 1x550-sheet feeder and stand

1x550-sheet paper feeder covers

Figure 2-12 1x550-sheet paper feeder covers

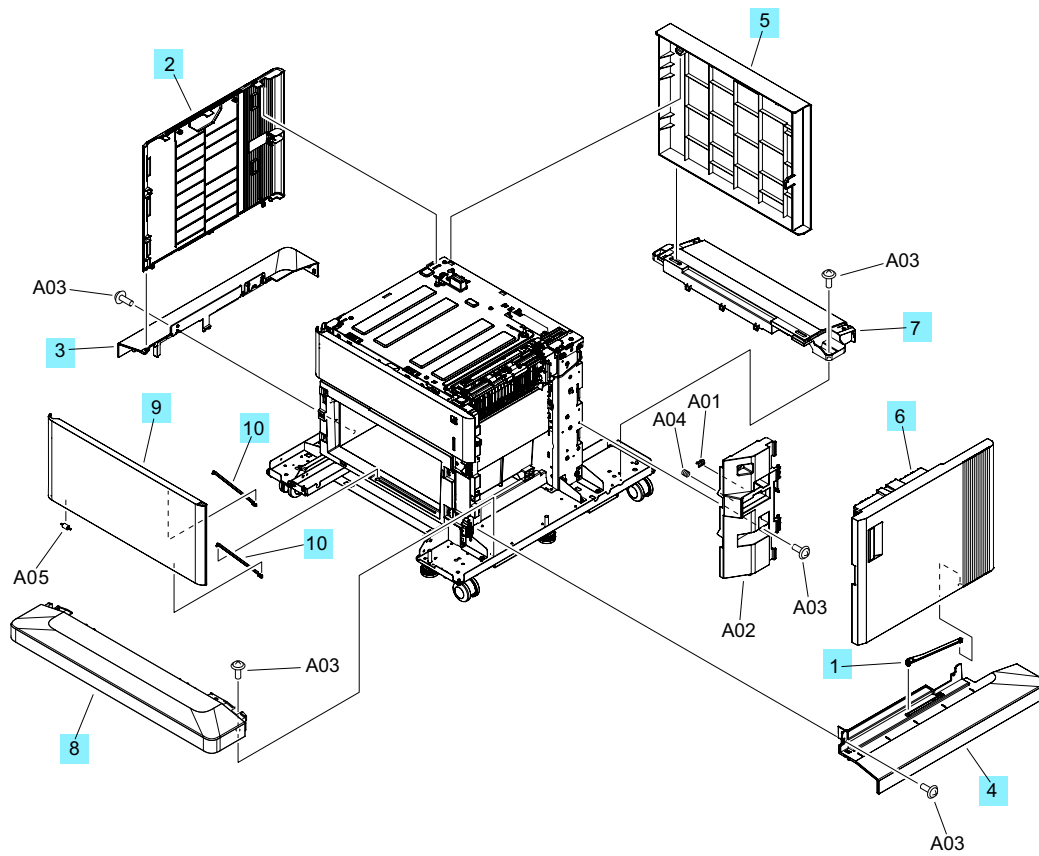


Table 2-12 1x550-sheet paper feeder covers

Ref	Description	Part number	Qty
1	Link, door (1x550-sheet feeder)	RC4-9824-000CN	1
2	Cover, left (1x550-sheet feeder)	RC5-0387-000CN	1
3	Cover, left lower (1x550-sheet feeder)	RC5-0385-000CN	1
4	Cover, right lower (1x550-sheet feeder)	RC5-0384-000CN	1
5	Cover, rear (1x550-sheet feeder)	RC5-0386-000CN	1
6	Right door assembly (1x550-sheet feeder)	RM2-1226-000CN	1
7	Cover, rear lower (1x550-sheet feeder)	RC5-0399-000CN	1
8	Cover, front lower (1x550-sheet feeder)	RC5-0383-000CN	1
9	Door, stock (1x550-sheet feeder)	RC5-0405-000CN	1
10	Link, door (1x550-sheet feeder)	RC4-1778-000CN	2