

Parts and diagrams: Accessories

Parts and diagrams: Input devices

Parts and diagrams: 550-sheet paper feeder

550-sheet paper feeder covers

Figure 2-10 550-sheet paper feeder covers

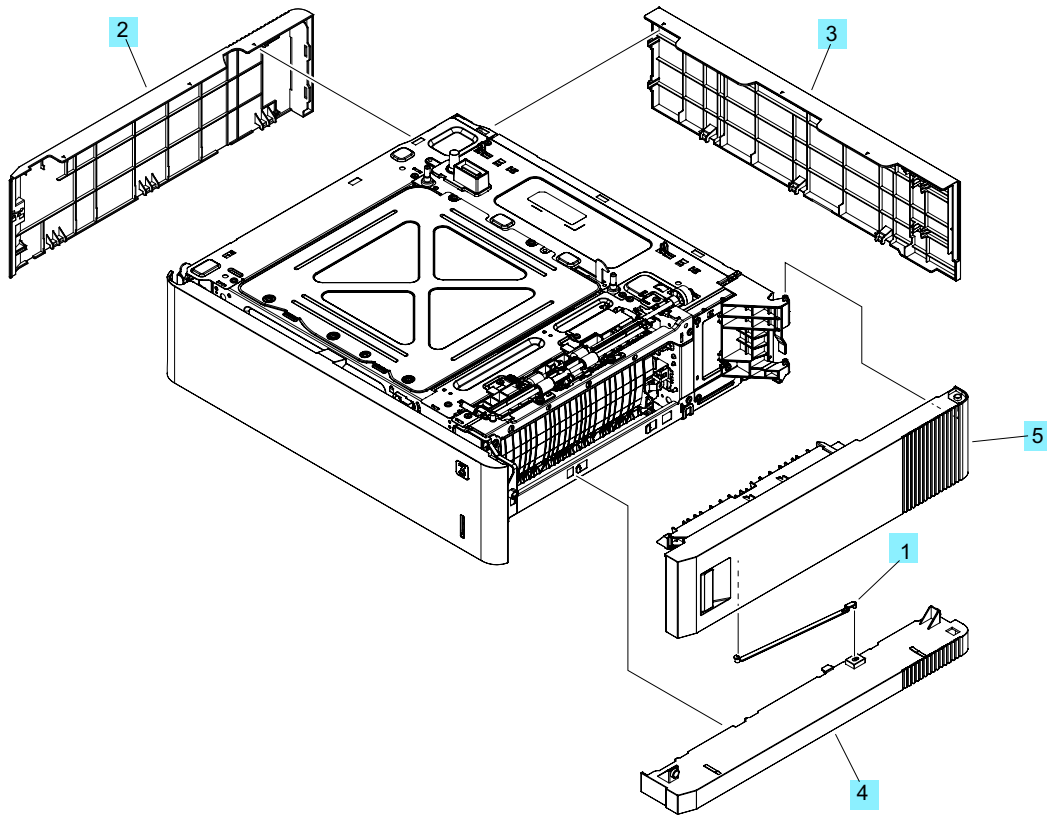


Table 2-10 550-sheet paper feeder covers

Ref	Description	Part number	Qty
1	Link, door, right (550-sheet feeder)	RC4-1778-000CN	1
2	Cover, left (550-sheet feeder)	RC4-7682-000CN	1
3	Cover, rear (550-sheet feeder)	RC4-7683-000CN	1
4	Cover, right lower (550-sheet feeder)	RC4-7684-000CN	1
5	Door assembly, right (550-sheet feeder)	RM2-6937-000CN	1