

Internal components (6 of 6)

Figure 2-9 Internal components (6 of 6)

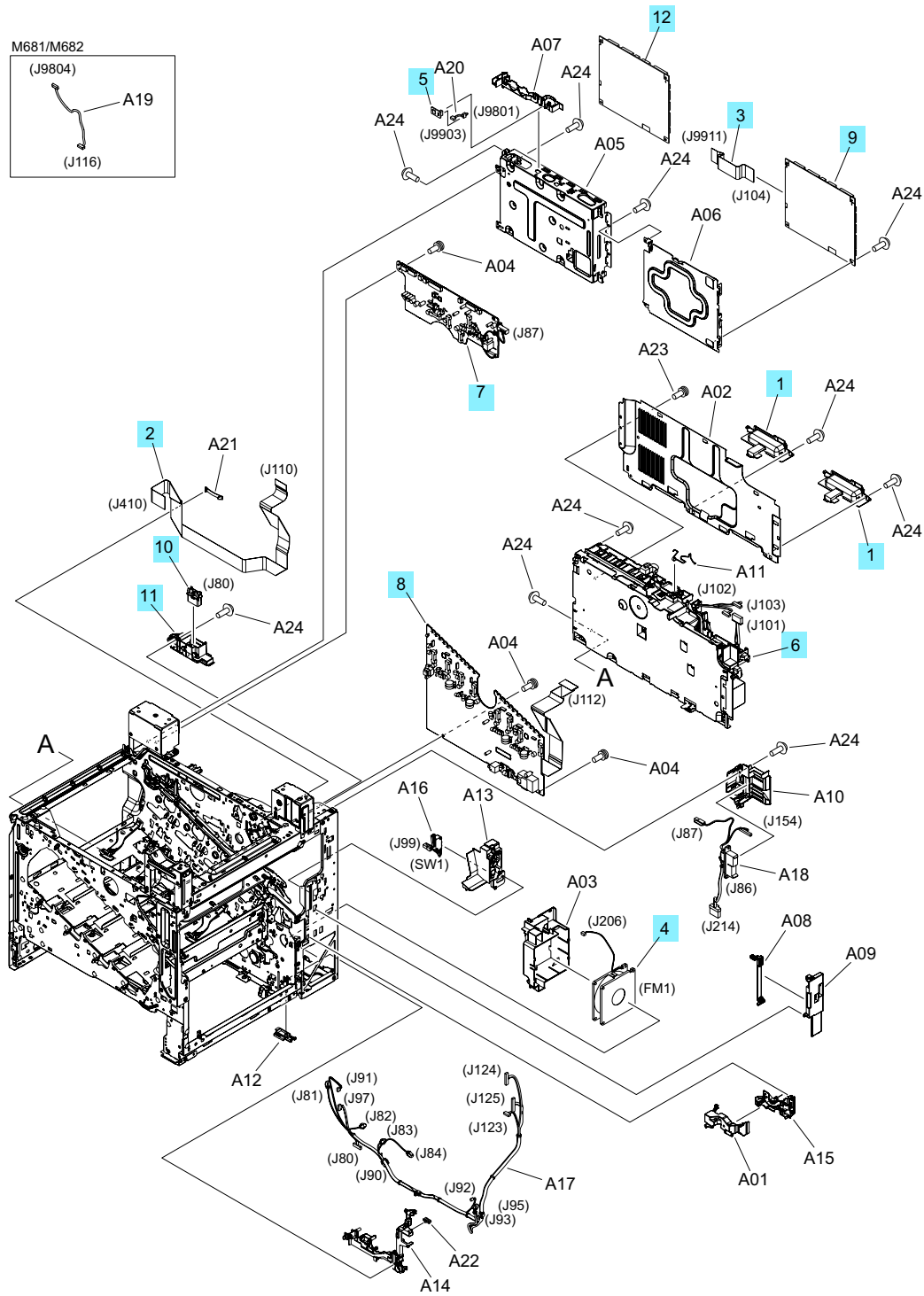


Table 2-9 Internal components (6 of 6)

Ref	Description	Part number	Qty
1	Handle, rear	RC4-9410-000CN	2
2	Cable, flexible flat	RK2-7768-000CN	1
3	Cable, flexible flat	RK2-7776-000CN	1
4	Fan	RK2-7953-000CN	1
5	Memory PCA	RM2-7138-000CN	1
6	Power supply PCA, 110-127V	RM2-8421-000CN	1
6	Power supply PCA, 220-240V	RM2-8422-000CN	1
7	Upper high voltage power supply PCA	RM2-8424-000CN	3
8	Lower high voltage power supply PCA	RM3-7006-000CN	1
9	DC controller PCA, M652-M653	RM3-7030-000CN	1
9	DC controller PCA, M681-M682	RM3-7031-000CN	1
10	Connector	VS1-7258-012CN	1
11	Holder, drawer connector	RC4-6497-000CN	1
12	Formatter kit (M652/M653)	J7Z98-60001	1
12	Formatter kit (M652/M653; India/China)	J7Z98-67904	1
12	Formatter kit (M681/M682)	J8A10-60001	1
12	Formatter kit (M681/M682; India/China)	J8A10-67902	1