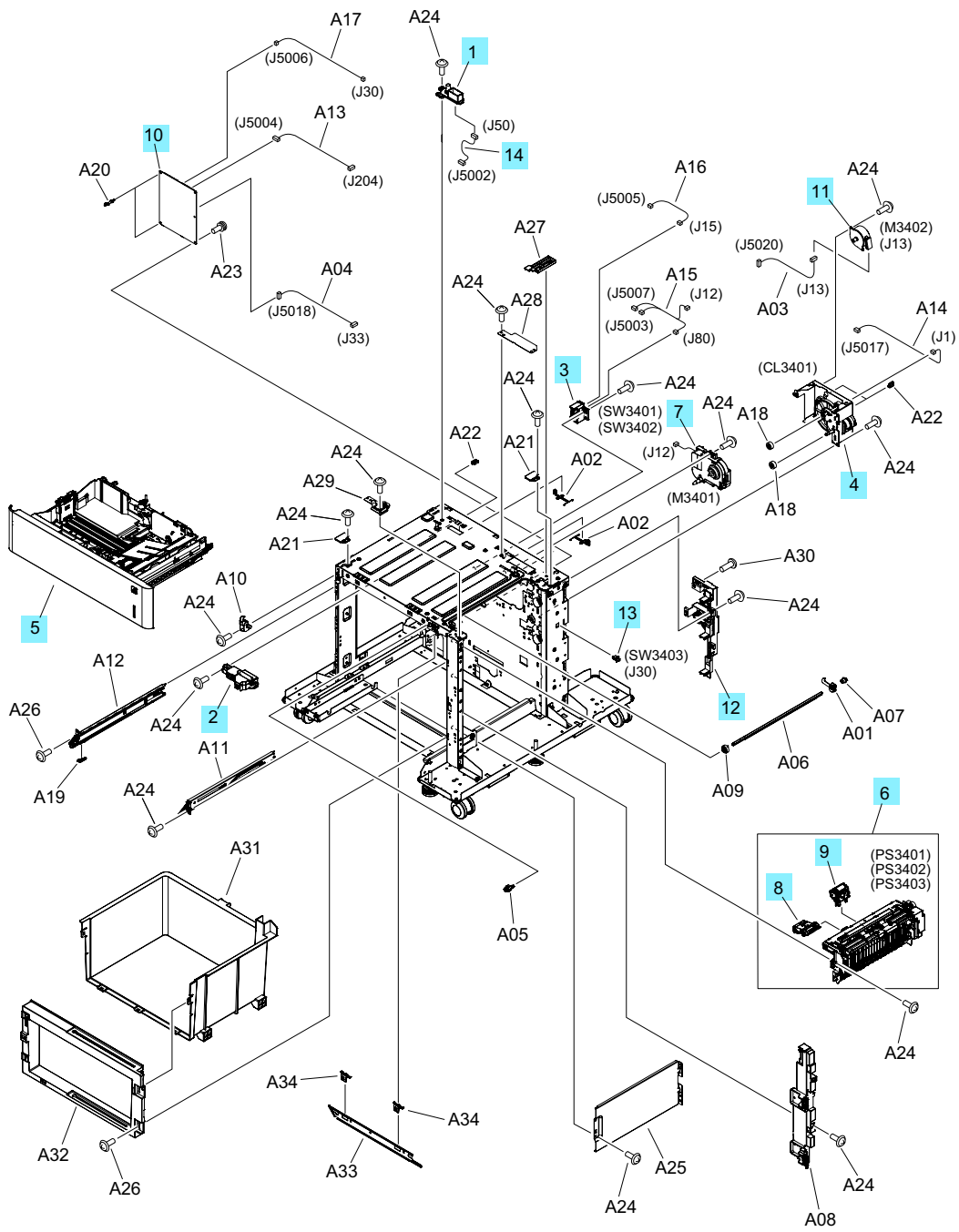


# 1x550-sheet paper feeder main body

Figure 2-13 1x550-sheet paper feeder main body



**Table 2-13 1x550-sheet paper feeder main body**

Ref	Description	Part number	Qty
1	Holder, drawer connector (1x550-sheet feeder)	RC4-8914-000CN	1
2	Auto close assembly (1x550-sheet feeder)	RM2-0856-000CN	1
3	Size sensor assembly (1x550-sheet feeder)	RM2-0857-000CN	1
4	Drive assembly (1x550-sheet feeder)	RM2-1222-000CN	1
5	Cassette assembly (tray; 1x550-sheet feeder)	RM2-1219-000CN	1
6	Paper pick-up assembly (1x550-sheet feeder)	RM2-1235-000CN	1
7	Lifter drive assembly (1x550-sheet feeder)	RM2-2091-000CN	1
8	Paper pickup roller assembly (1x550-sheet feeder; part of LaserJet Tray 2-5 Roller Kit)	J7Z98-67902	1
9	Separation roller assembly (1x550-sheet feeder; part of LaserJet Tray 2-5 Roller Kit)	J7Z98-67902	1
10	Paper deck cont. PCA	RM2-8482-000CN	1
11	Motor, stepping (1x550-sheet feeder)	RK2-7831-000CN	1
12	Estrangement holder assembly (1x550-sheet feeder)	RM2-1223-000CN	1
13	Switch, push (1x550-sheet feeder)	WC2-5803-000CN	1
14	Drawer upper cable assembly (1x550-sheet feeder)	RM2-9286-000CN	1