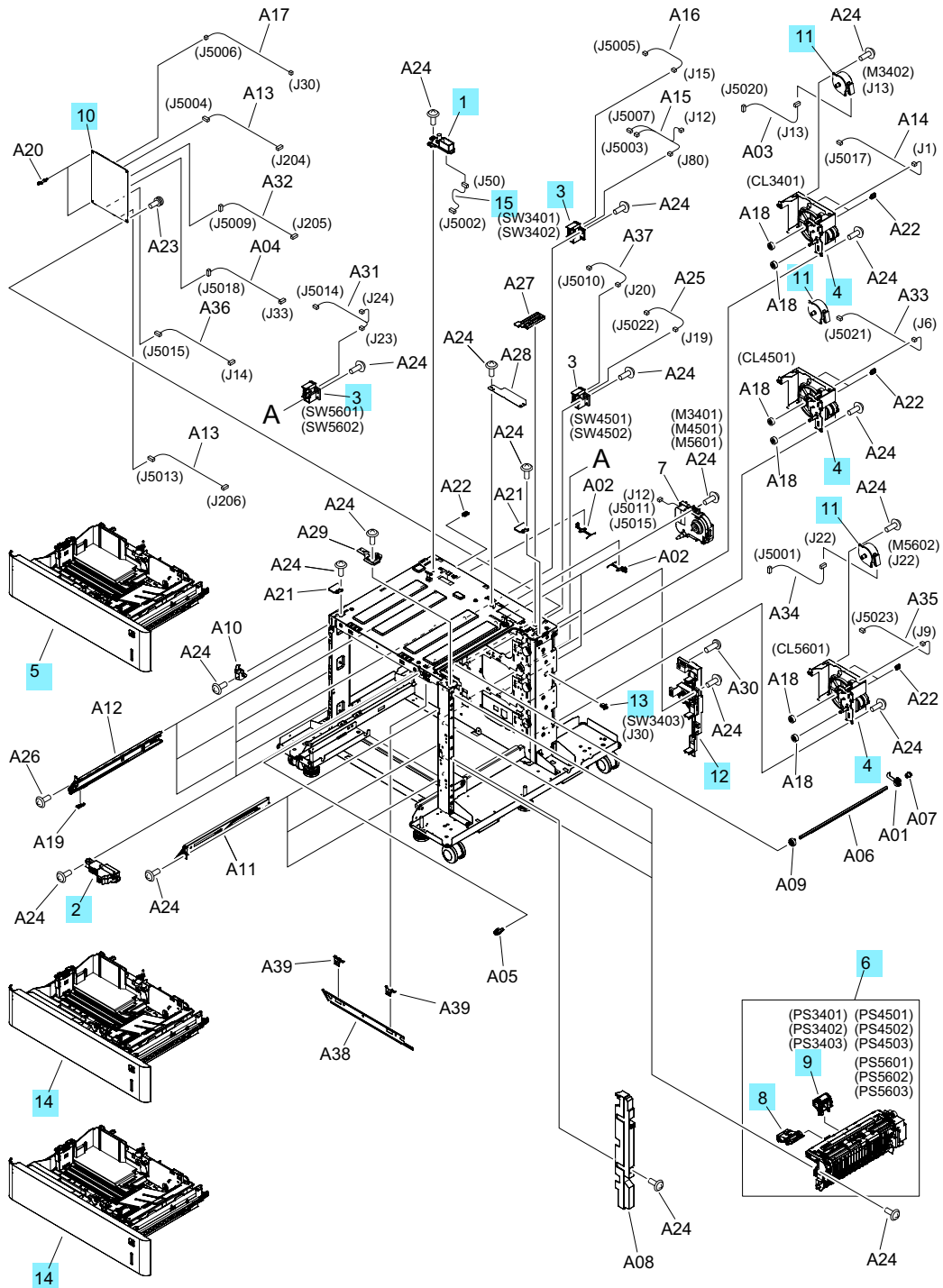


# 3x550-sheet paper feeder main body

Figure 2-15 3x550-sheet paper feeder main body



**Table 2-15 3x550-sheet paper feeder main body**

Ref	Description	Part number	Qty
1	Holder, drawer connector (3x550-sheet feeder)	RC4-8914-000CN	1
2	Auto close assembly (3x550-sheet feeder)	RM2-0856-000CN	3
3	Size sensor assembly (3x550-sheet feeder)	RM2-0857-000CN	3
4	Drive assembly (3x550-sheet feeder)	RM2-1222-000CN	3
5	Cassette assembly (upper tray; 3x550-sheet feeder)	RM2-1219-000CN	1
6	Paper pick-up assembly (3x550-sheet feeder)	RM2-1235-000CN	3
7	Lifter drive assembly (3x550-sheet feeder)	RM2-2091-000CN	3
8	Paper pickup roller assembly (HCI; part of LaserJet Tray 2-5 Roller Kit)	J7Z98-67902	3
9	Separation roller assembly (HCI; part of LaserJet Tray 2-5 Roller Kit)	J7Z98-67902	3
10	Paper deck cont. PCA (3x550-sheet feeder)	RM2-8483-000CN	1
11	Motor, stepping (3x550-sheet feeder)	RK2-7831-000CN	2
12	Estrangement holder assembly (3x550-sheet feeder)	RM2-1223-000CN	1
13	Switch, push (3x550-sheet feeder)	WC2-5803-00CN	1
14	Cassette assembly (middle/lower tray; 3x550-sheet feeder)	RM2-1231-000CN	2
15	Drawer upper cable assembly (3x550-sheet feeder)	RM2-9286-000CN	1