

550-sheet paper feeder main body

Figure 2-11 550-sheet paper feeder main body

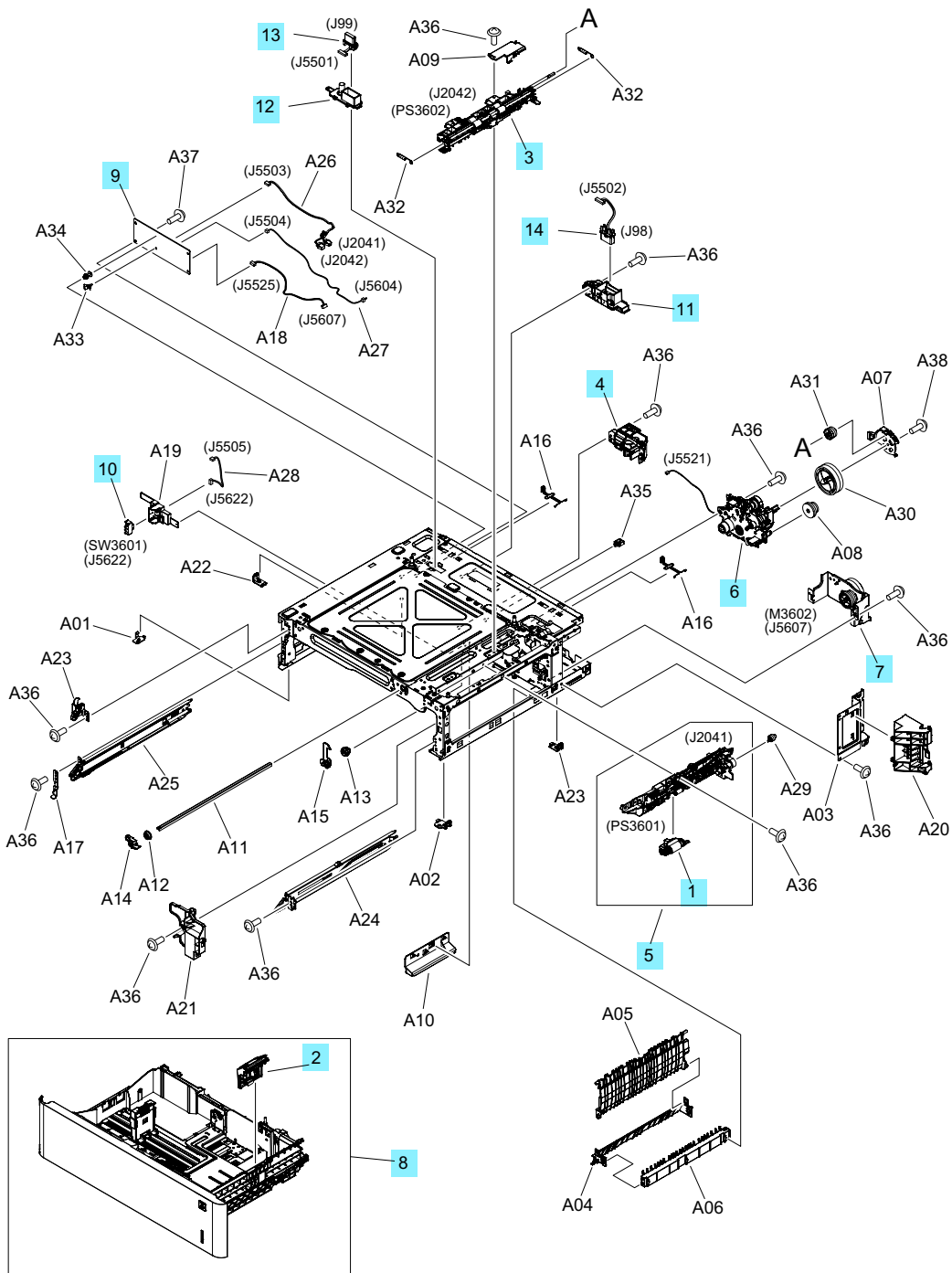


Table 2-11 550-sheet paper feeder main body

Ref	Description	Part number	Qty
1	Paper pick-up roller assembly (550-sheet feeder; part of LaserJet Trays 2-5 Roller Kit)	J7Z98-67902	1
2	Separation roller assembly (550-sheet feeder; part of LaserJet Trays 2-5 Roller Kit)	J7Z98-67902	1
3	Paper feed assembly (550-sheet feeder)	RM2-5145-000CN	1
4	Auto close assembly (550-sheet feeder)	RM2-5147-000CN	1
5	Paper pick-up assembly (550-sheet feeder)	RM2-5154-000CN	1
6	Lifter drive assembly (550-sheet feeder)	RM2-6933-000CN	1
7	Drive assembly (550-sheet feeder)	RM2-6934-000CN	1
8	Cassette assembly (550-sheet feeder)	RM2-6935-000CN	1
9	Feeder controller PCA (550-sheet feeder)	RM2-8491-000CN	1
10	Switch, push (550-sheet feeder)	WC2-5762-000CN	1
11	Holder, drawer connector (550-sheet feeder)	RC4-6497-000CN	1
12	Holder, drawer, upper (550-sheet feeder)	RC4-7680-000CN	1
13	Option upper cable assembly (550-sheet feeder)	RM2-8880-000CN	1
14	Option lower cable assembly (550-sheet feeder)	RM2-8881-000CN	1