

HCI main body

Figure 2-17 HCI main body

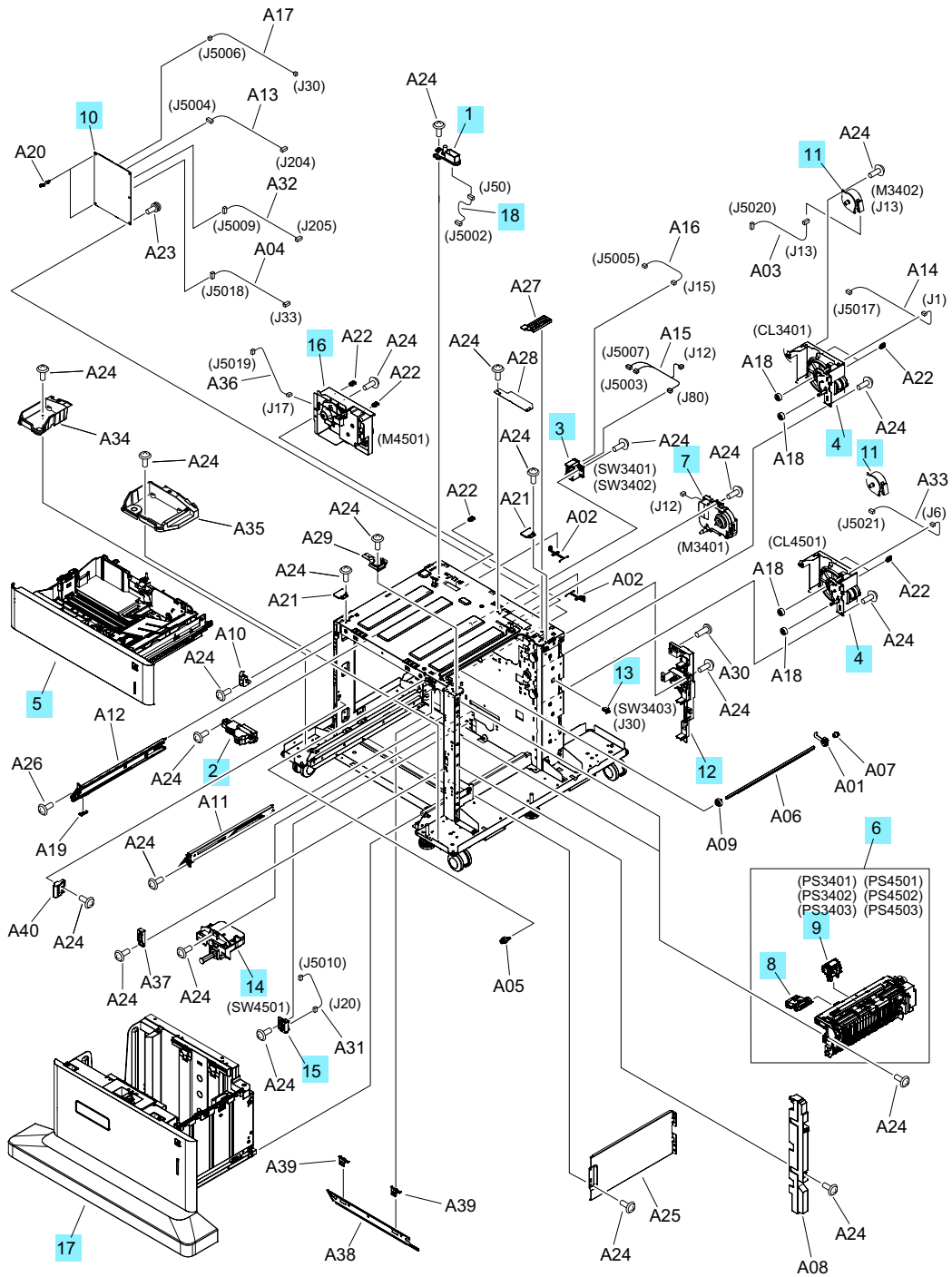


Table 2-17 HCI main body

Ref	Description	Part number	Qty
1	Holder, drawer connector (HCI)	RC4-8914-000CN	1
2	Auto close assembly (HCI)	RM2-0856-000CN	1
3	Size sensor assembly (HCI)	RM2-0857-000CN	1
4	Drive assembly (HCI)	RM2-1222-000CN	2
5	Cassette assembly (tray; HCI)	RM2-1219-000CN	1
6	Paper pick-up assembly (HCI)	RM2-1235-000CN	2
7	Lifter drive assembly (HCI)	RM2-2091-000CN	1
8	Paper pickup roller assembly (HCI; part of LaserJet Tray 2-5 Roller Kit)	J7Z98-67902	2
9	Separation roller assembly (HCI; part of LaserJet Tray 2-5 Roller Kit)	J7Z98-67902	2
10	Paper deck cont. PCA (HCI)	RM2-8481-000CN	1
11	Motor, stepping (HCI)	RK2-7831-000CN	1
12	Estrangement holder assembly (HCI)	RM2-1223-000CN	1
13	Switch, push (HCI)	WC2-5803-000CN	1
14	Tray auto close assembly (HCI)	RM2-0918-000CN	1
15	Size sensor assembly (HCI)	RM2-0921-000CN	1
16	Tray lifter motor drive assembly (HCI)	RM2-0915-000CN	1
17	Tray assembly (HCI)	RM2-1220-000CN	1
18	Drawer upper cable assembly (HCI)	RM2-9286-000CN	1