

Parts and diagrams: HCI

HCI covers

Figure 2-16 HCI covers

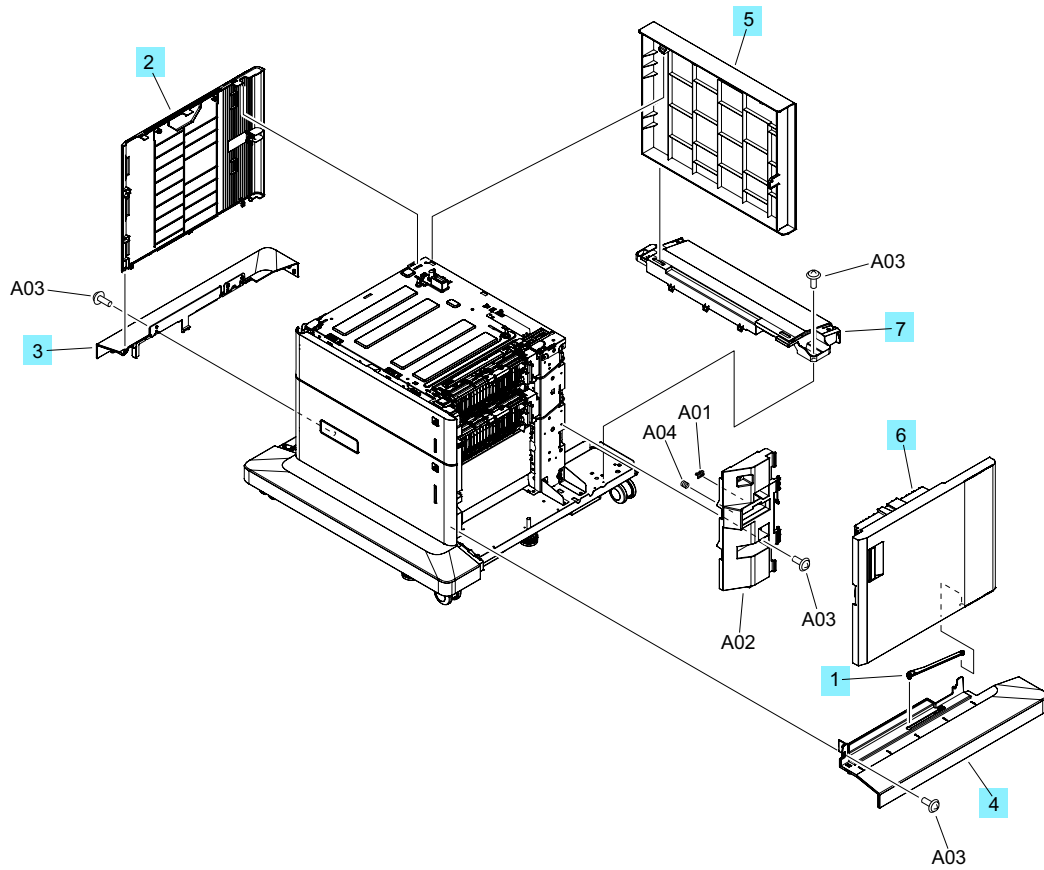


Table 2-16 HCl covers

Ref	Description	Part number	Qty
1	Link, door (HCl)	RC4-9824-000CN	1
2	Cover, left (HCl)	RC5-0387-000CN	1
3	Cover, left lower (HCl)	RC5-0385-000CN	1
4	Cover, right lower (HCl)	RC5-0384-000CN	1
5	Cover, rear (HCl)	RC5-0386-000CN	1
6	Right door assembly (HCl)	RM2-1218-000CN	1
7	Cover, rear lower (HCl)	RC5-0399-000CN	1