

# Parts and diagrams: Internal components

## Internal components (1 of 6)

Figure 2-4 Internal components (1 of 6)

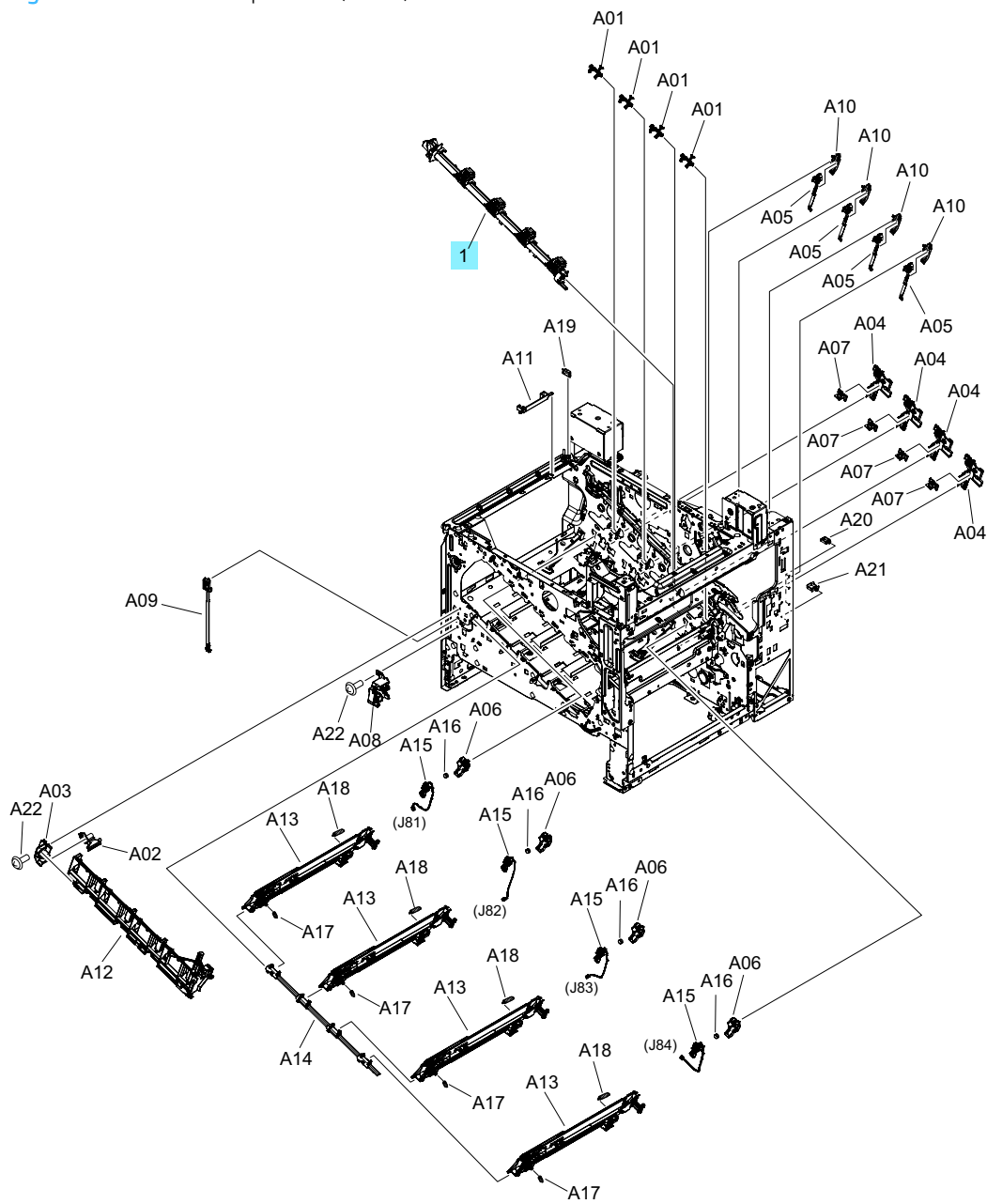


Table 2-4 Internal components (1 of 6)

Ref	Description	Part number	Qty
1	Toner carry assembly	RM2-6620-000CN	1