

Internal components (4 of 6)

Figure 2-7 Internal components (4 of 6)

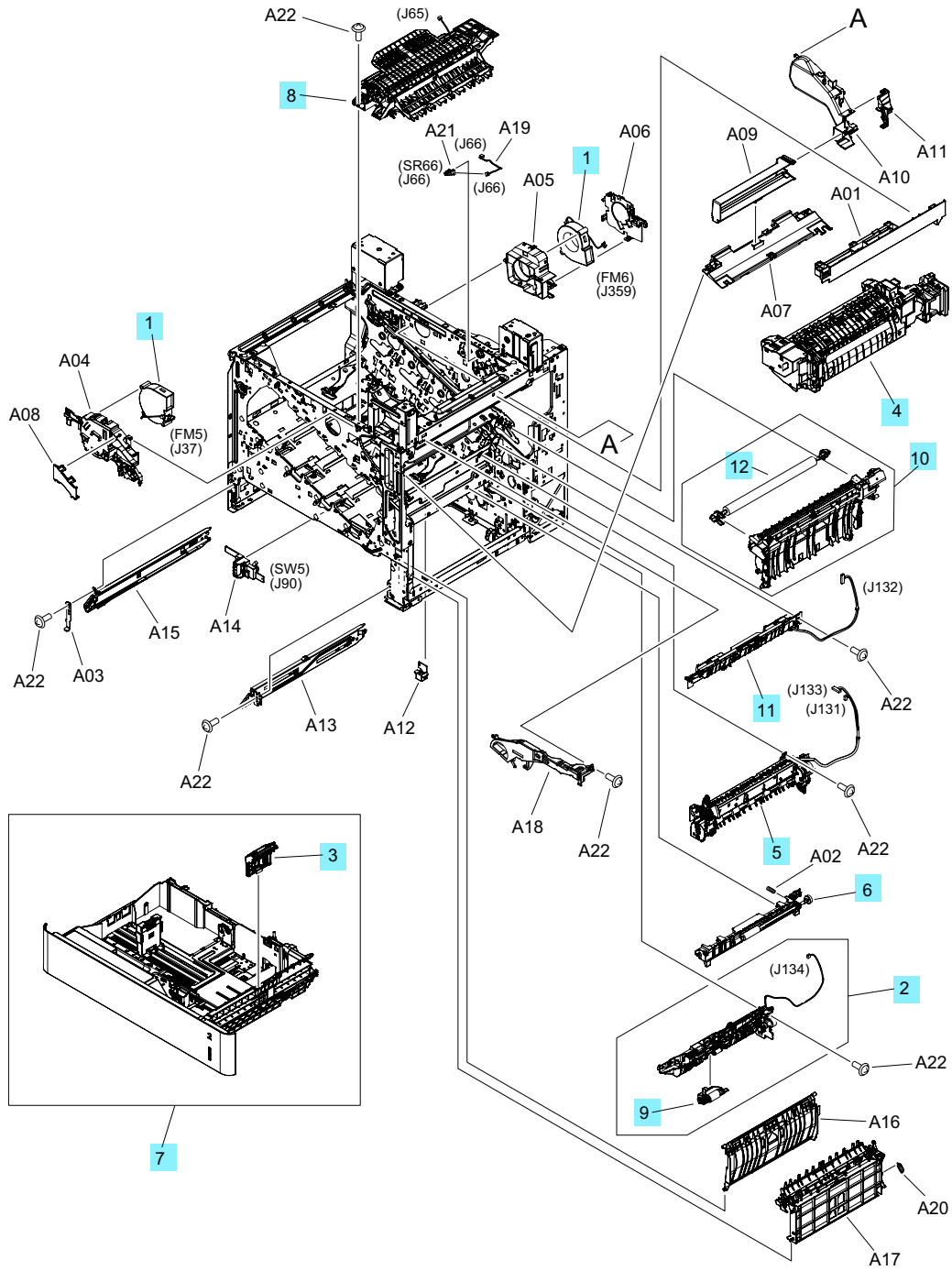


Table 2-7 Internal components (4 of 6)

Ref	Description	Part number	Qty
1	Fan	RK2-6124-000CN	2
2	Paper pick-up assembly	RM2-6556-000CN	1
3	Separation roller assembly	RM2-0064-000CN	1
4	Fuser assembly, 110-127V	RM2-1928-000CN	1
4	Fuser assembly, 220-240V	RM2-1929-000CN	1
5	Registration assembly	RM2-1957-000CN	1
6	Feed roller assembly	RM2-6684-000CN	1
7	Cassette assembly (Tray 2)	RM2-6618-000CN	1
8	Paper delivery assembly	RM2-6621-000CN	1
9	Paper pick-up roller assembly	RM2-6681-000CN	1
10	Secondary transfer assembly	RM2-6682-000CN	1
11	Density detect assembly	RM2-7160-000CN	1
12	Secondary transfer roller assembly (part of LaserJet Image Transfer and Roller Kit)	P1B93-67901	1