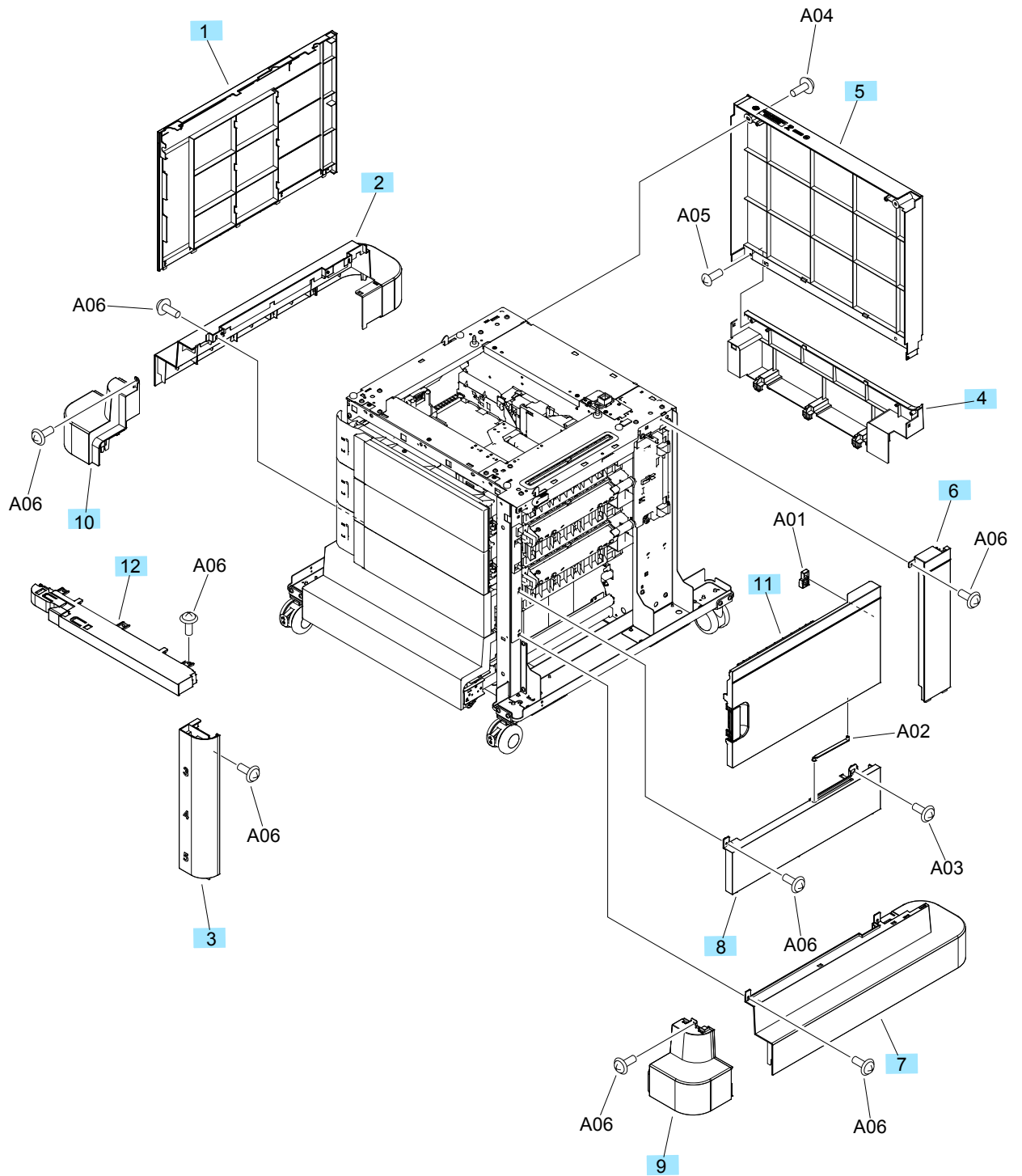


# 2,500-sheet paper feeder HCI

## 2,500-sheet paper feeder HCI covers

Figure 2-21 2,500-sheet paper feeder HCI covers



**Table 2-27 2,500-sheet paper feeder HCI covers**

<b>Ref</b>	<b>Description</b>	<b>Part number</b>	<b>Qty</b>
1	Cover, left (2,500-sheet paper feeder HCI)	RC3-5499-000CN	1
2	Cover, left lower	RC3-5515-000CN	1
3	Cover, right front (2,500-sheet paper feeder HCI)	RC3-5521-000CN	1
4	Cover, rear lower	RC3-5523-000CN	1
5	Cover, rear (2,500-sheet paper feeder HCI)	RC3-5524-000CN	1
6	Cover, right rear (2,500-sheet paper feeder HCI)	RC3-5525-000CN	1
7	Cover, right lower	RC3-5526-000CN	1
8	Cover, right center	RC3-5527-000CN	1
9	Cover, front lower right	RC3-5535-000CN	1
10	Cover, front lower left	RC3-5536-000CN	1
11	Assembly, right door (2,500-sheet paper feeder HCI)	RM2-0362-000CN	1
12	Assembly, front upper cover	RM2-0364-000CN	1