

1x500-sheet paper feeder with cabinet components

Figure 2-20 1x500-sheet paper feeder with cabinet components

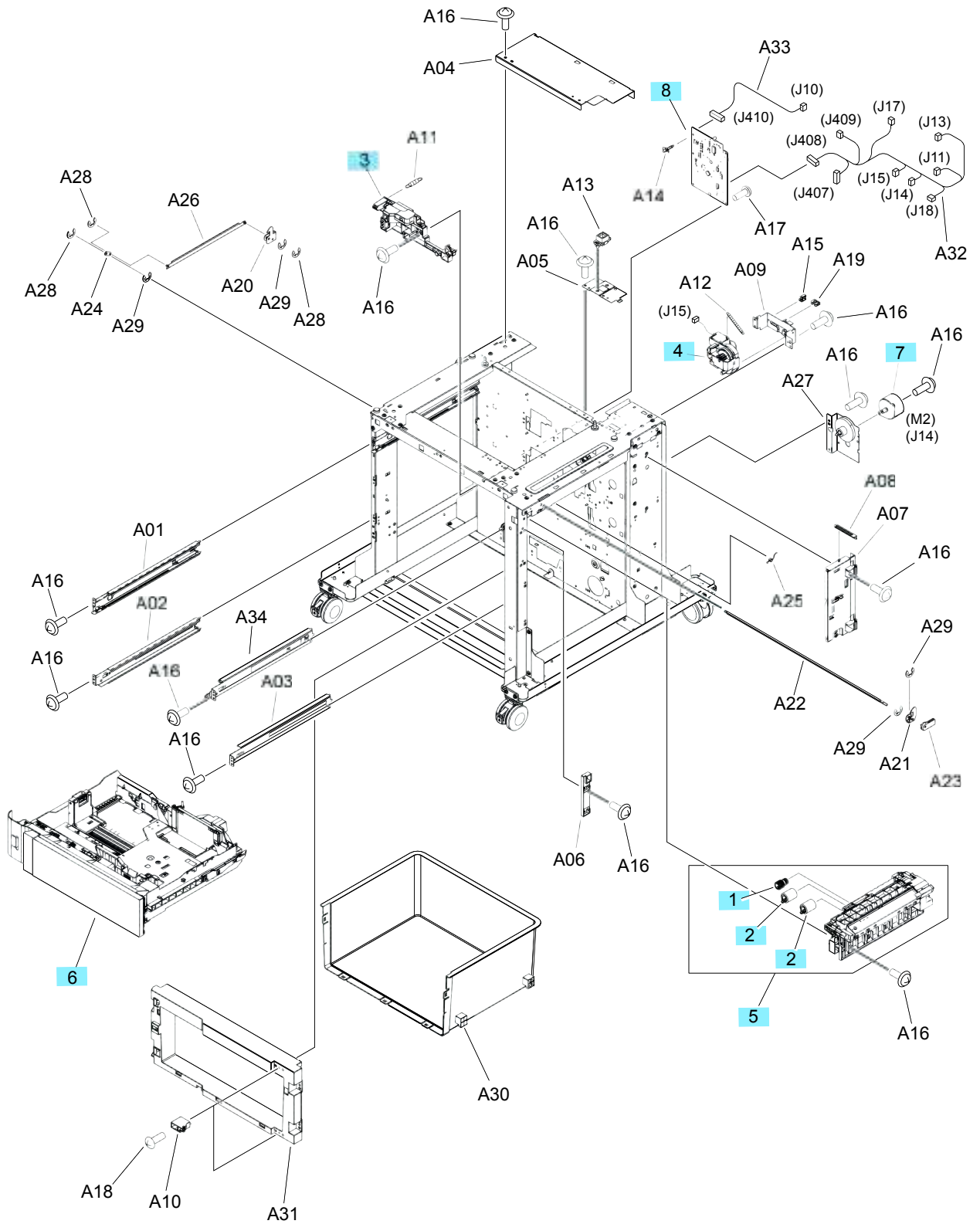


Table 2-26 1x500-sheet paper feeder with cabinet components

Ref	Description	Part number	Qty
1	Roller, paper pickup	RL1-2099-000CN	1
2	Roller, paper feed/separation (part of Tray 2-5 feed/separation roller kit)	CC493-67907	2
3	Assembly, lifter base	RM1-5913-000CN	1
4	Assembly, lifter	RM1-5914-000CN	1
5	Assembly, paper-pickup (1x500-sheet paper feeder with cabinet)	RM2-0341-000CN	1
6	Tray	RM2-0340-000CN	1
7	Motor, DC	RK2-5085-000CN	1
8	Assembly, feeder PCA	RM2-0501-000CN	1