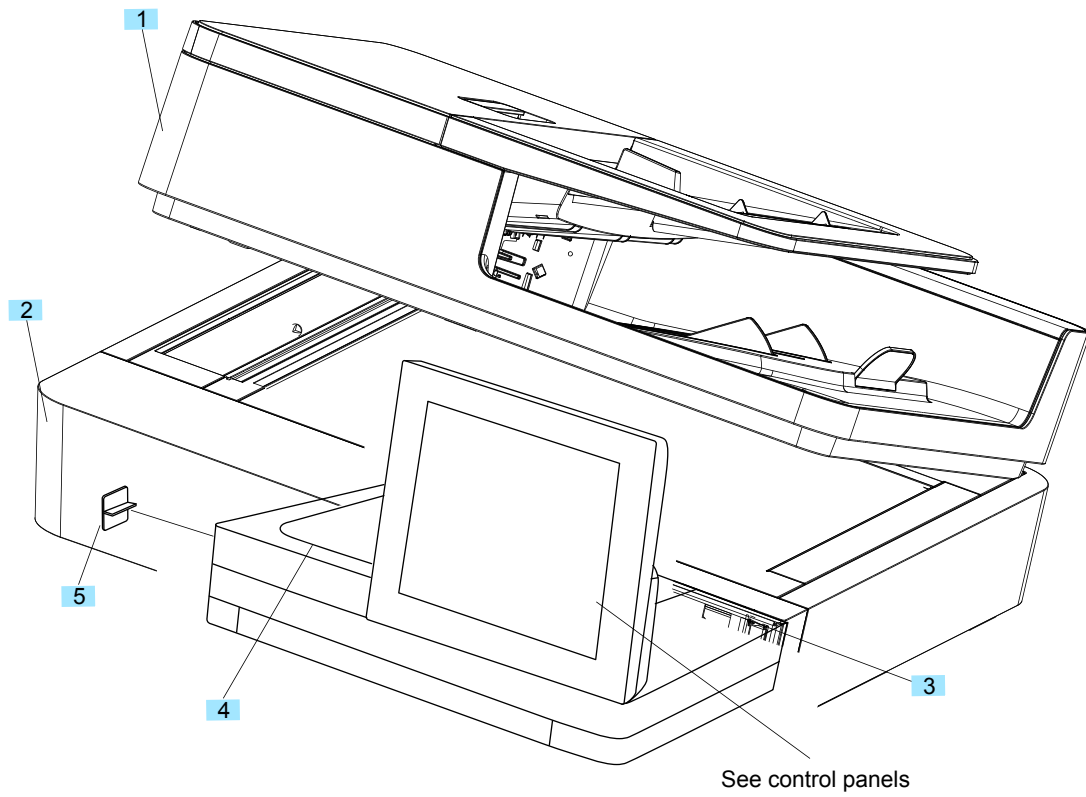


# Document feeder and scanner assemblies

Figure 2-1 Document feeder and scanner assemblies (M680)



**Table 2-7 Document feeder and scanner assemblies (M680)**

Ref	Description	Part number	Qty
1	Kit, document feeder, complete with white backing (M680) <sup>1</sup>	CZ248-67916	1
2	Kit, image scanner assembly, complete with white backing (M680) <sup>2</sup>	CZ248-67915	1
3	Cover, control panel access (M680)	5042-9118	1
4	Cover, HIP (M680)	5851-5361	1
5	Cover, USB (M680)	5851-5360	1

<sup>1</sup> When the document feeder assembly is replaced, use the [Service](#) menu to set the [Document feeder Kit Interval](#), [ADF Count](#), and [Clean Rollers Count](#) values to zero.

<sup>2</sup> When the image scanner assembly is replaced, use the [Service](#) menu to set the [Flatbed Count](#) value to zero.