

Internal assemblies (1 of 6)

Figure 2-11 Internal assemblies (1 of 6)

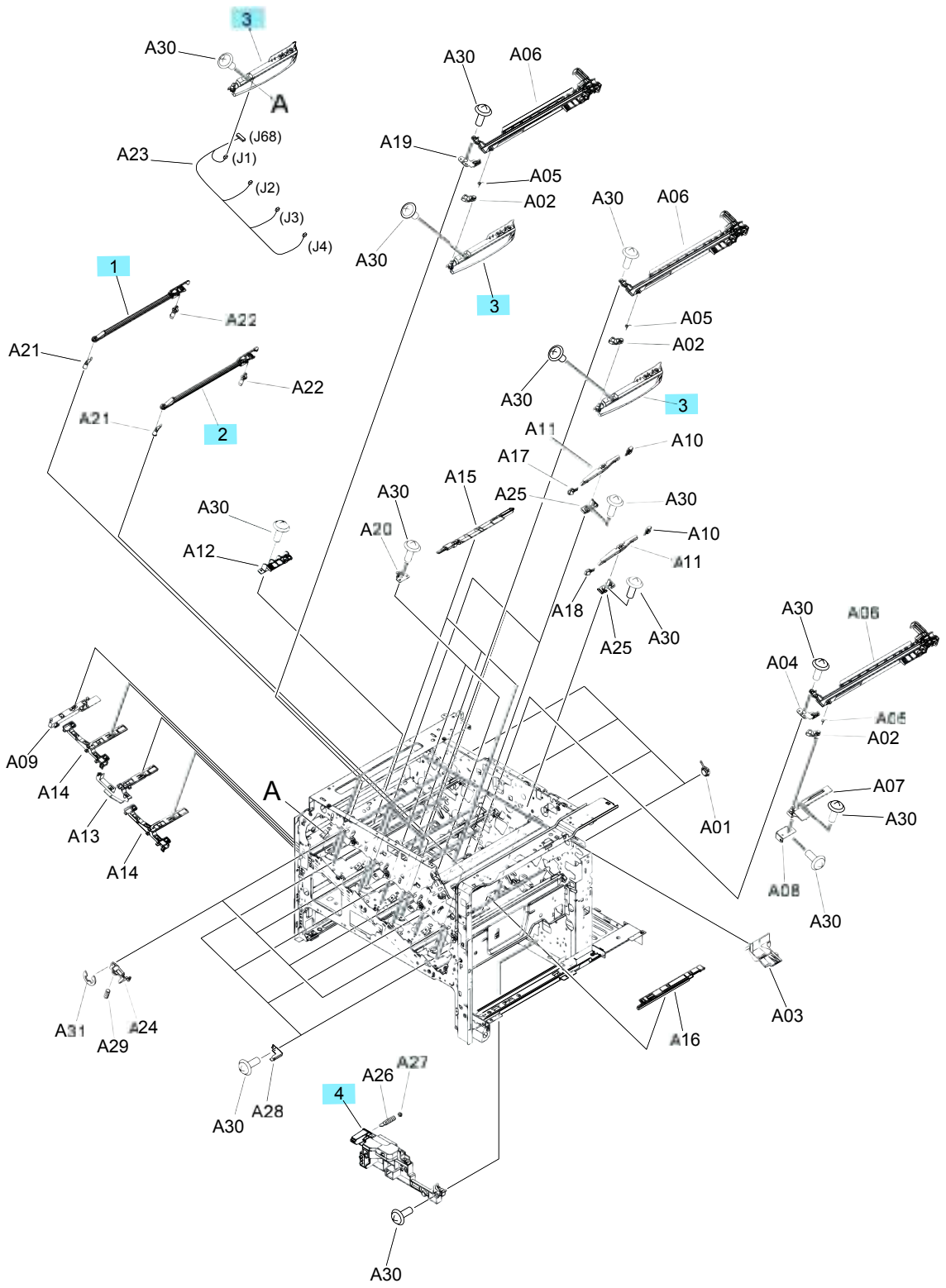


Table 2-17 Internal assemblies (1 of 6)

Ref	Description	Part number	Qty
1	Assembly, shutter	RM1-5488-000CN	2
2	Assembly, shutter	RM1-5489-000CN	2
3	Assembly, toner remain PCA	RM1-5771-000CN	4
4	Assembly, lifter base	RM1-5913-000CN	1