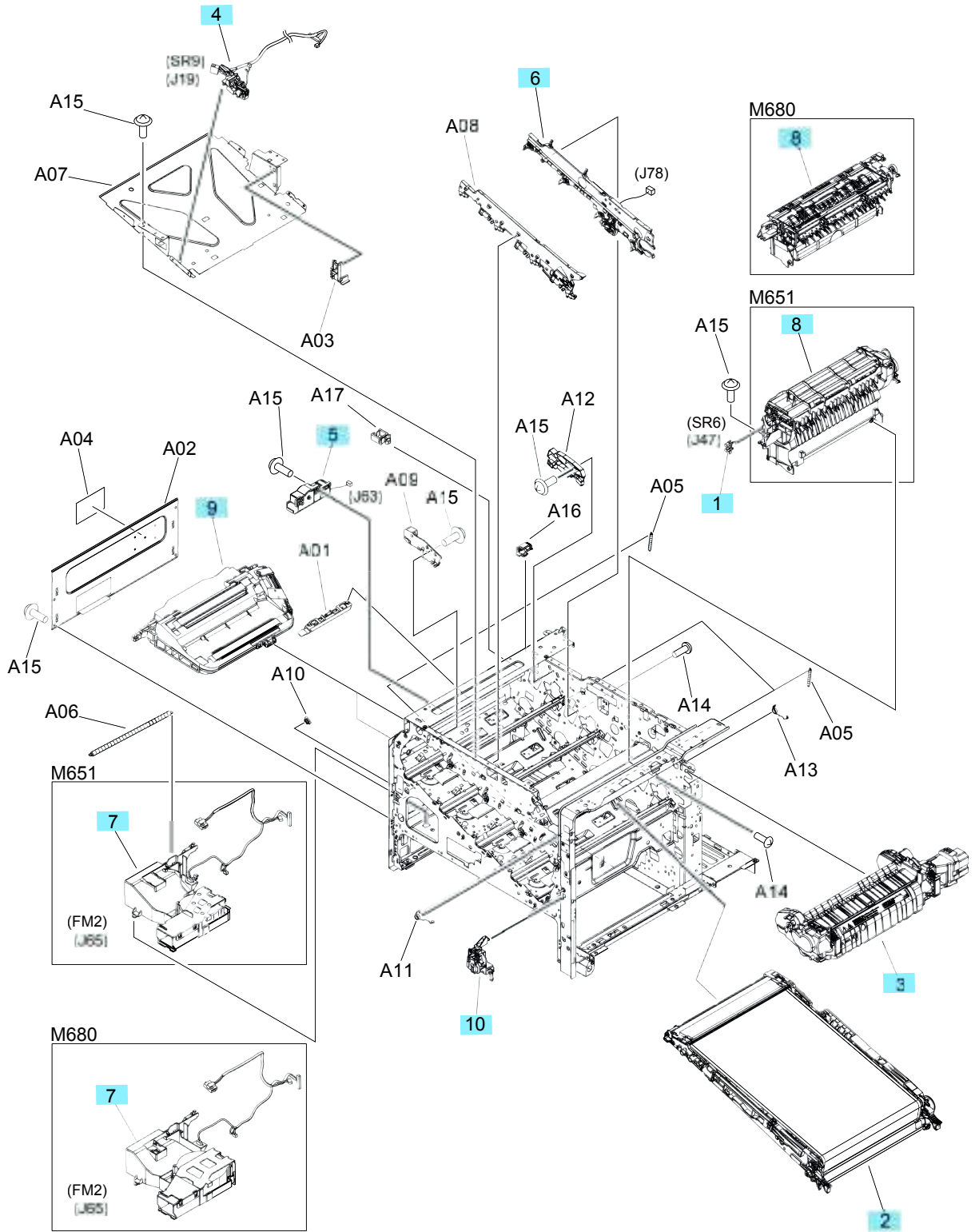


## Internal assemblies (3 of 6)

Figure 2-13 Internal assemblies (3 of 6)



**Table 2-19 Internal assemblies (3 of 6)**

<b>Ref</b>	<b>Description</b>	<b>Part number</b>	<b>Qty</b>
1	Photointerrupter	WG8-5935-000CN	1
2	Kit, intermediate transfer belt (includes secondary transfer roller)	CC493-67909	2
3	Kit, fuser replacement, 110V	CC493-67911	1
3	Kit, fuser replacement, 220V	CC493-67912	1
4	Assembly, position detect	RM1-5604-000CN	1
5	Assembly, residual-toner-feed motor	RM1-5605-010CN	1
6	Assembly, rear pre-exposure	RM2-0500-000CN	1
7	Assembly, cartridge fan (M651)	RM2-0212-000CN	1
7	Assembly, cartridge fan (M680)	RM2-0213-000CN	1
8	Assembly, paper-delivery (M651)	RM2-0223-000CN	1
8	Assembly, paper-delivery (M680)	RM1-5615-000CN	1
9	Kit, laser scanner assembly	CZ248-67913	2
10	Assembly, main switch	RM2-0386-000CN	1