

Scan control board (SCB)

Figure 2-4 Scan control board (SCB; M680)

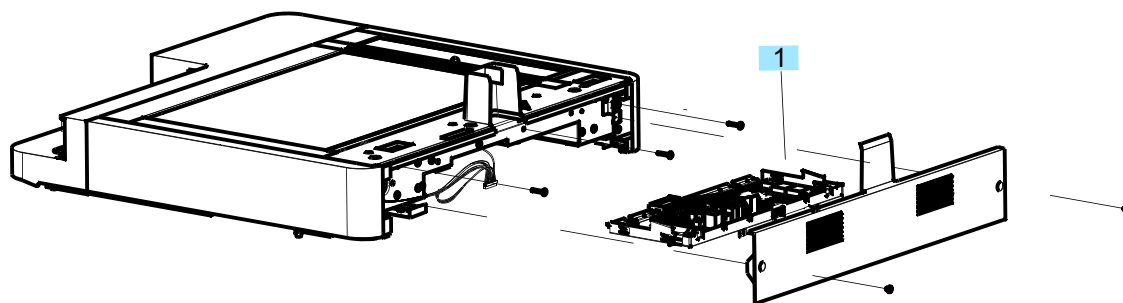


Table 2-10 Scan control board (SCB; M680)

Ref	Description	Part number	Qty
1	Scanner control board (M680)	CZ248-67914	1
Not shown	Kit, scanner control board fan assembly (M680)	5851-6083	1