

Stapling mailbox assemblies (2 of 2)

Figure 2-26 Stapling mailbox assemblies (2 of 2)

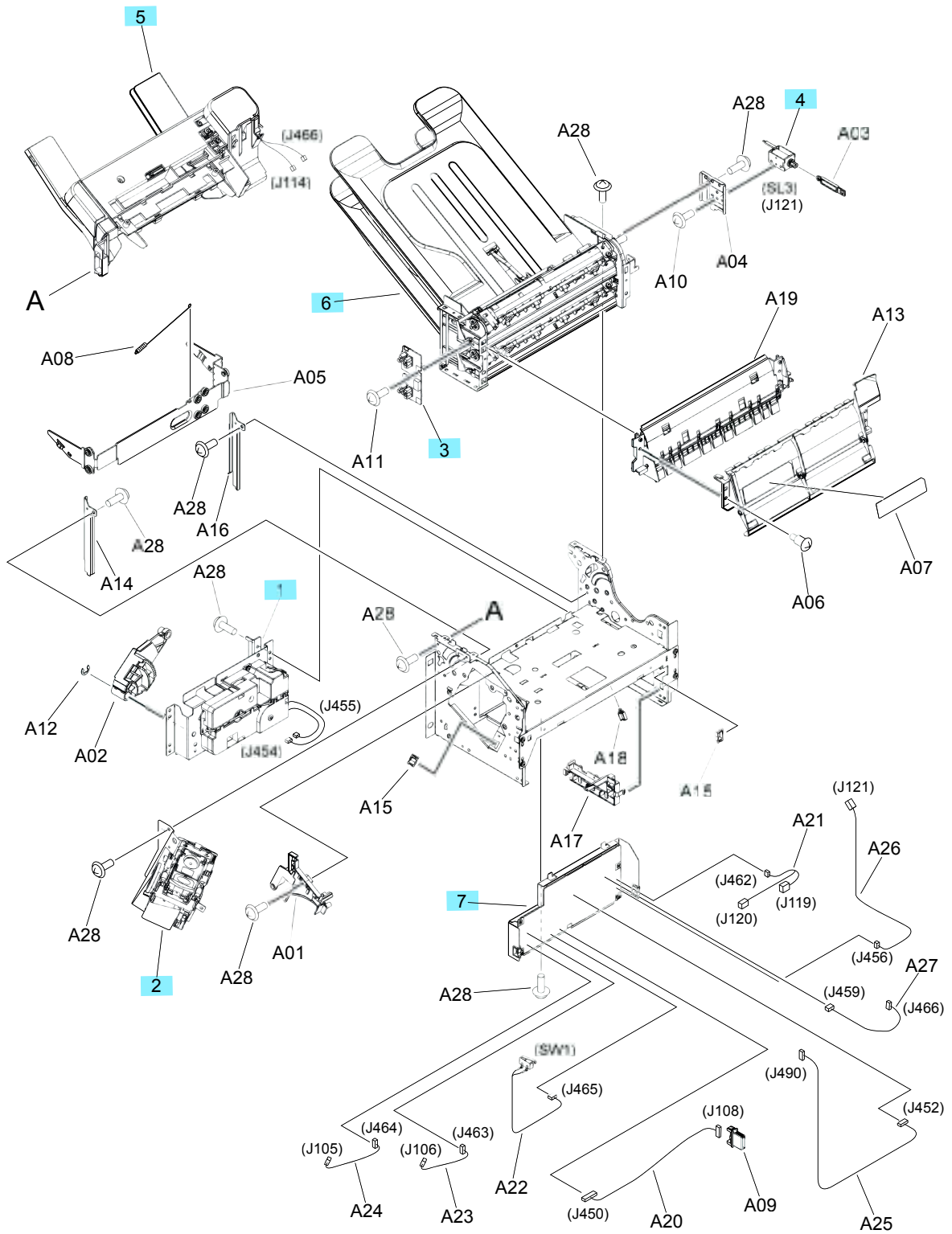


Table 2-32 Stapling mailbox assemblies (2 of 2)

Ref	Description	Part number	Qty
1	Assembly, output bin 3 bin drive	RM1-5156-000CN	1
2	Assembly, stapler	RM1-5166-000CN	1
3	Assembly, output bin sensor PCA	RM1-5894-000CN	1
4	Assembly, bin solenoid	RM1-5896-000CN	1
5	Assembly, jogger	RM2-5235-000CN	1
6	Assembly, output bin 3	RM2-5241-000CN	1
7	Assembly, output bin 3 driver PCA	RM2-5245-000CN	1