

Stapler/stacker main body

Figure 2-19 Stapler/stacker main body

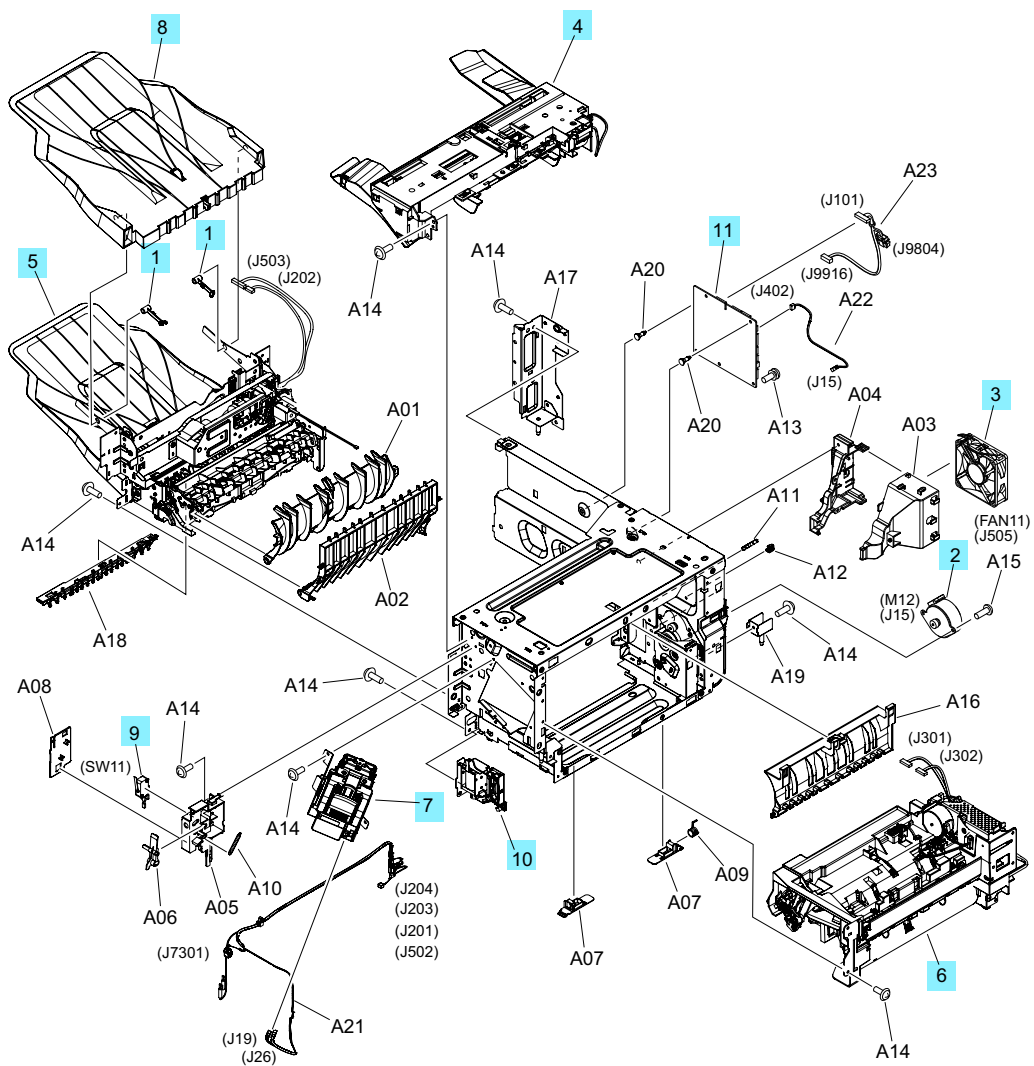


Table 2-19 Stapler/stacker main body

Ref	Description	Part number	Qty
1	Pin, tray fixed (stapler/stacker)	RC5-0353-000CN	2
2	Motor, stepping, DC (stapler/stacker)	RK2-8149-000CN	1
3	Fan (stapler/stacker)	RK2-8153-000CN	1
4	Jog assembly (stapler/stacker)	RM2-1066-000CN	1
5	Lower paper feed assembly (stapler/stacker)	RM2-6813-000CN	1
6	Upper paper feed assembly (stapler/stacker)	RM2-6810-000CN	1
7	Stapler assembly (stapler/stacker)	RM2-1193-000CN	1
8	Tray assembly (stapler/stacker)	RM2-1196-000CN	1
9	Microswitch (stapler/stacker)	WC4-5171-000CN	1
10	Solenoid assembly (stapler/stacker)	RM2-1040-000CN	1
11	Staple stacker PCA (stapler/stacker)	RM2-8689-000CN	1