

Parts and diagrams: Stapler/stacker assembly (M681 and M682 models only)

Parts and diagrams: 2-bin stapler/stacker with offset

Stapler/stacker covers

Figure 2-18 Stapler/stacker covers

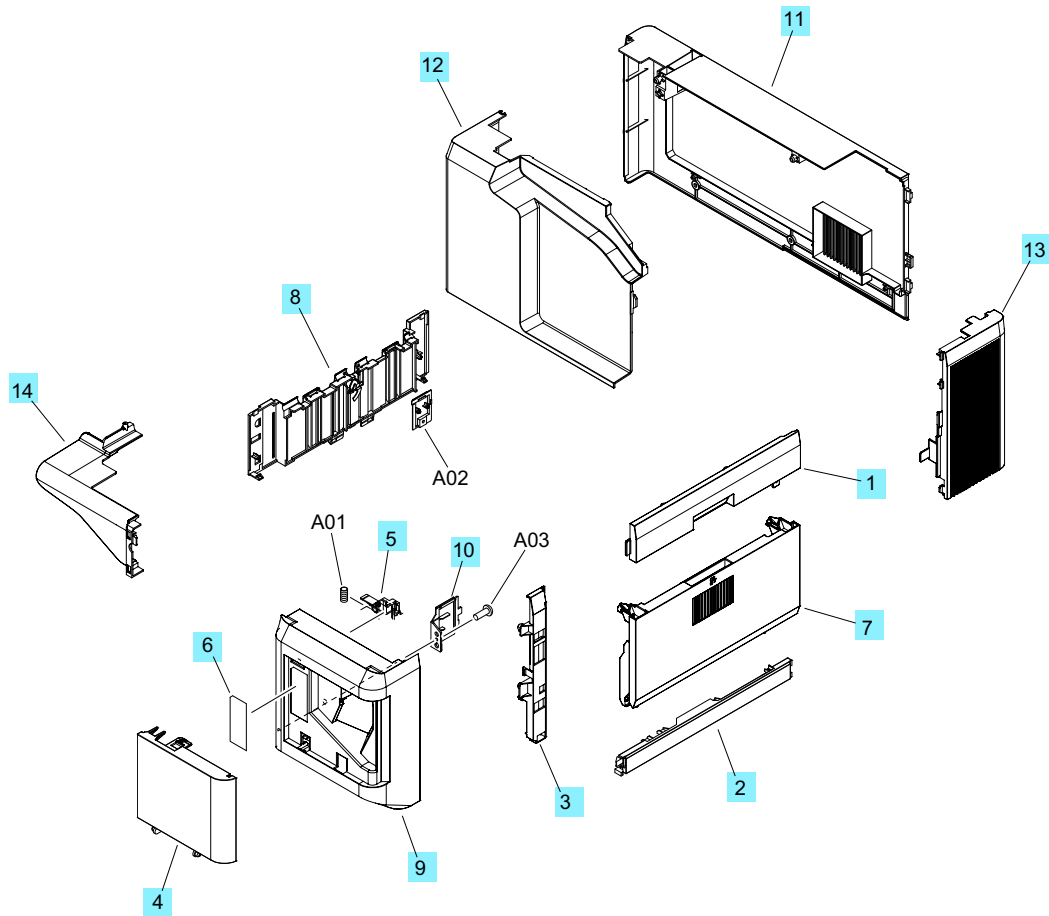


Table 2-18 Stapler/stacker covers

Ref	Description	Part number	Qty
1	Cover, right upper (stapler/stacker)	RC4-7409-000CN	1
2	Cover, right lower (stapler/stacker)	RC4-9439-000CN	1
3	Cover, staple rear (stapler/stacker)	RC4-7412-000CN	1
4	Door, staple (stapler/stacker)	RC4-9575-000CN	1
5	Arm, staple door lock (stapler/stacker)	RC4-9576-000CN	1
6	Label, staple exchange OPE. (stapler/stacker)	RU7-8831-000CN	1
7	Right door assembly (stapler/stacker)	RM2-6807-000CN	1
8	Stacking wall assembly (stapler/stacker)	RM2-1057-000CN	1
9	Cover, staple (stapler/stacker)	RC4-7405-000CN	1
10	Cover, right front (stapler/stacker)	RC4-9586-000CN	1
11	Cover, rear front (stapler/stacker)	RC4-7406-000CN	1
12	Cover, rear inner (stapler/stacker)	RC4-7407-000CN	1
13	Cover, rear corner (stapler/stacker)	RC4-7408-000CN	1
14	Cover, jogger (stapler/stacker)	RC4-7411-000CN	1