

3x500PF internal components

Figure 4-20 3x500PF internal components

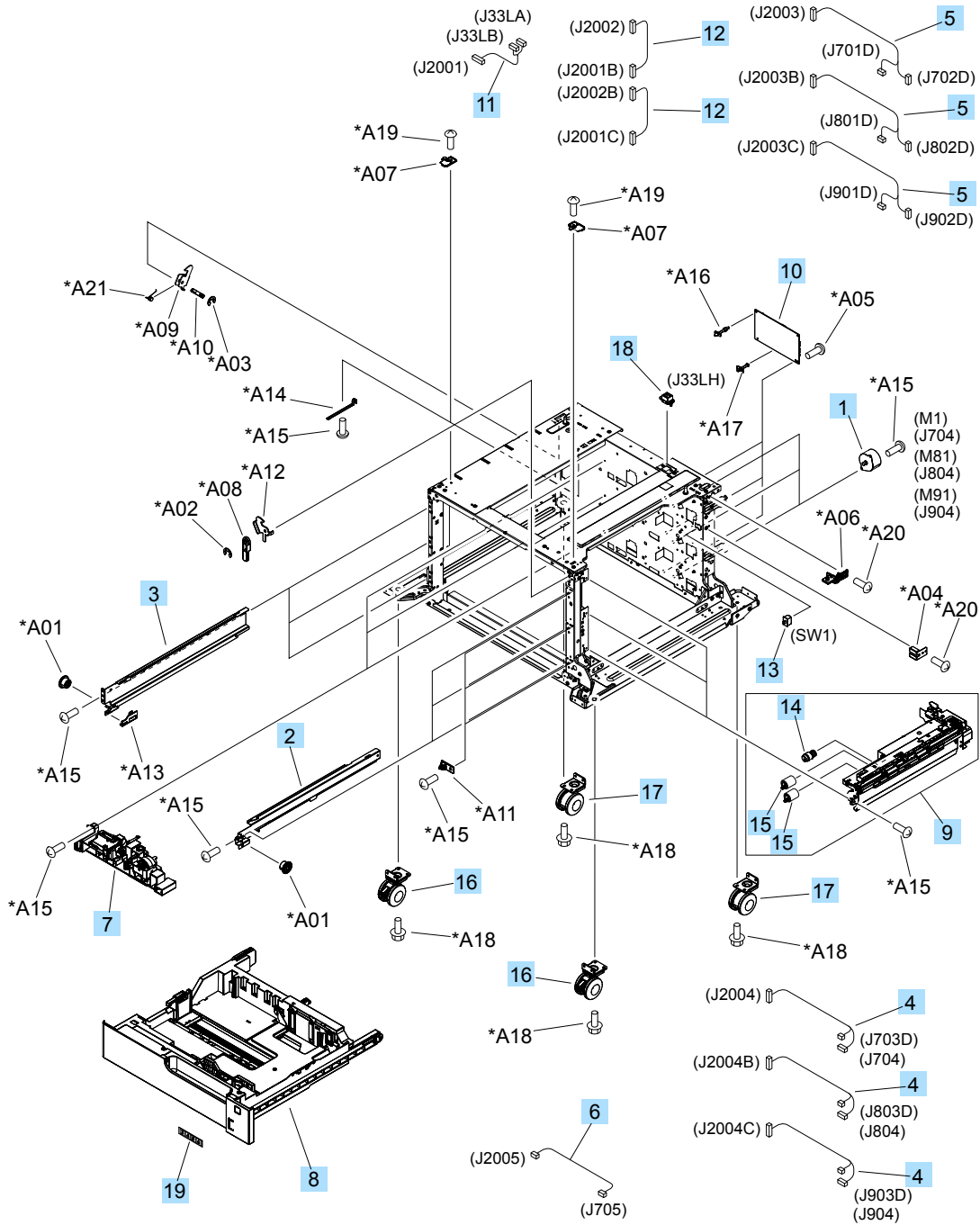


Table 4-24 3x500PF internal components

Ref	Description	Part number	Qty
1	Motor, stepping, DC (3x500PF)	RK2-1331-000CN	3
2	Rail, cassette, right (3x500PF)	RL1-1390-000CN	3
3	Rail, cassette, left (3x500PF)	RL1-1391-000CN	3
4	Cable, paper pick-up option (3x500PF)	RM1-3575-000CN	3
5	Cable, multisensor (3x500PF)	RM1-3647-000CN	3
6	Cable, door open switch (3x500PF)	RM1-3651-000CN	1
7	Lifter drive assembly (3x500PF)	RM1-3819-000CN	3
8	Cassette (3x500PF)	CF235-67917	1
9	Paper pick-up assembly (3x500PF)	RM1-6944-000CN	3
10	Feeder PCA (3x500PF)	RM1-6989-000CN	1
11	Cable, engine interface (3x500PF)	RM1-6991-000CN	1
12	Cable, PCA joint (3x500PF)	RM1-6992-000CN	2
13	Switch, button (3x500PF)	WC2-5512-000CN	1
14	Roller, pick-up (included in the service kit; 3x500PF)	CC522-67909	1
16	Caster, double lock, front (3x500PF)	RC1-9896-000CN	2
17	Caster, rear	RC3-2994-000	1
18	Connector, 8P (3x500PF)	VS1-7500-008CN	1
19	Label, cassette number (3x500PF)	5851-5600	1