

External covers, panels, and doors

Figure 4-1 External covers, panels, and doors

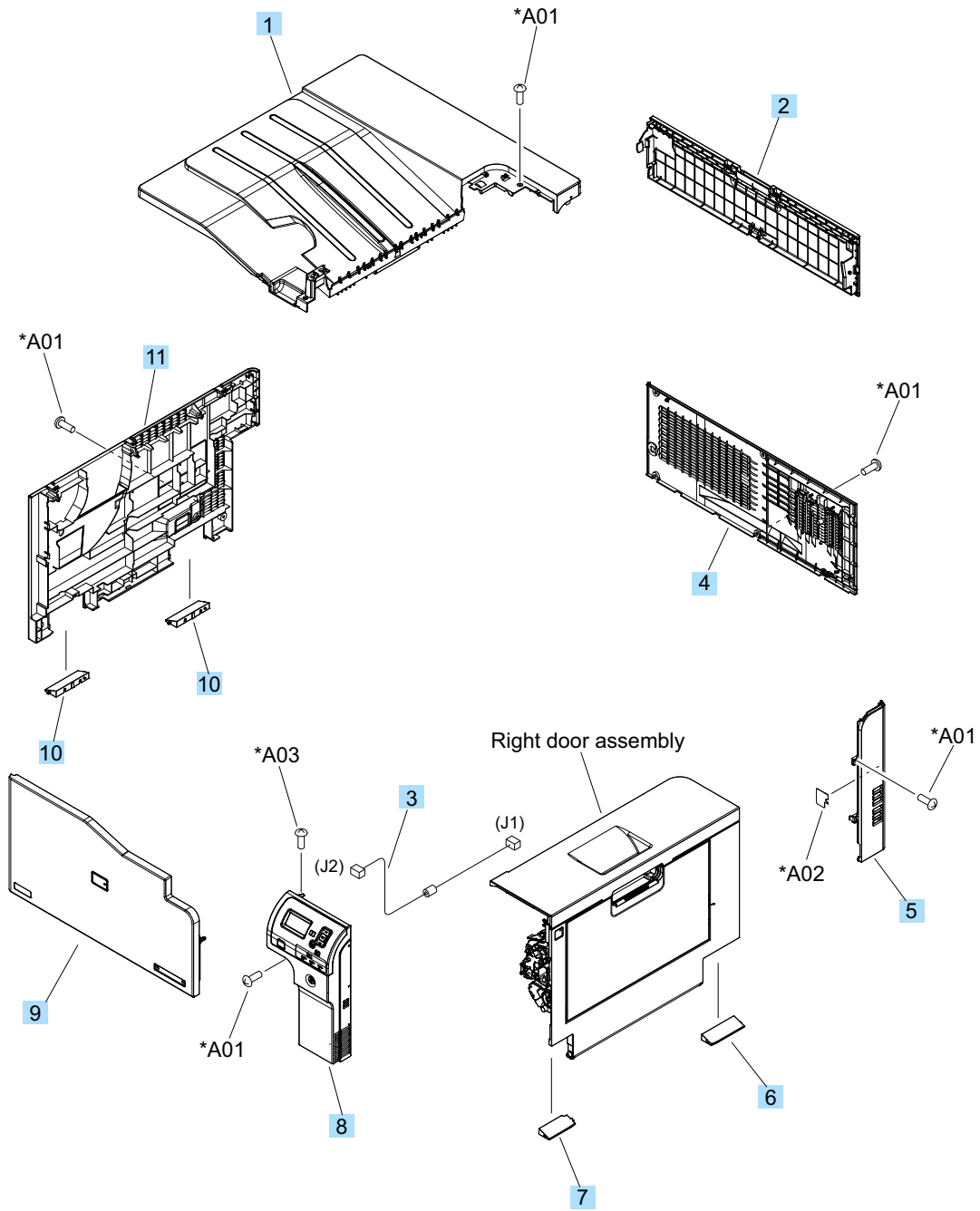


Table 4-5 External covers, panels, and doors

Ref	Description	Part number	Qty
1	Cover, top	RM1-7148-000CN	1
2	Door, toner collection unit access	RC2-7034-000CN	1
3	Cable, USB	RK2-2901-000CN	1
4	Cover, rear	RM1-7147-000CN	1
5	Cover, right rear	RM1-7142-000CN	1
6	Cover, handle, lower-right, rear	RC2-6626-000CN	1
7	Cover, handle, lower-right, front	RC2-6627-000CN	1
8	Cover, right front assembly (includes control panel)	RM1-7144-000CN	1
9	Cover, front assembly	CE707-67902	1
10	Cover, handle, lower-left	RC2-6625-000CN	2
11	Cover, left assembly	RM1-7143-000CN	1