

Internal components (1 of 9)

Figure 4-3 Internal components (1 of 9)

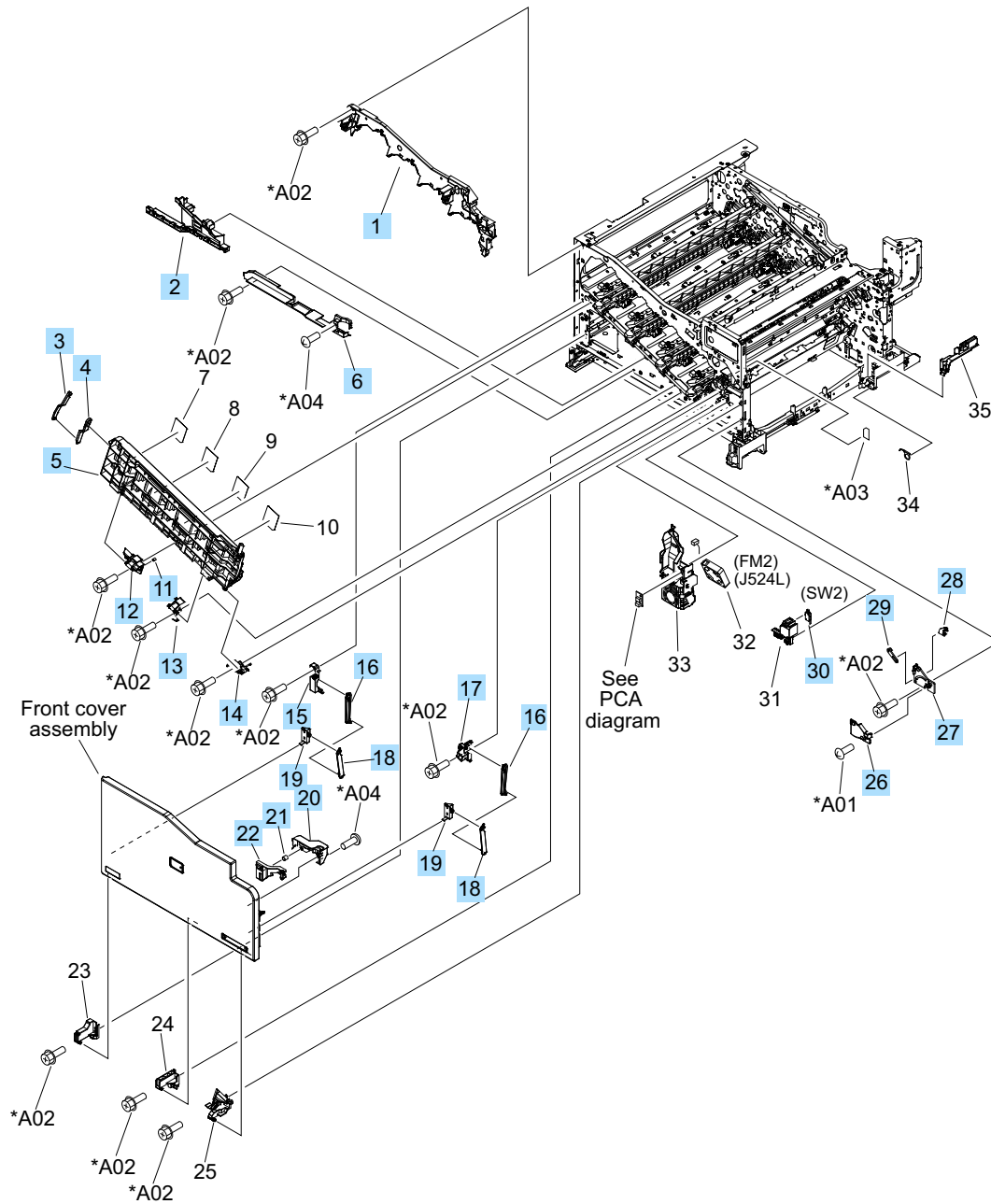


Table 4-7 Internal components (1 of 9)

Ref	Description	Part number	Qty
1	Upper cartridge guide assembly	RM1-5990-000CN	1
2	Duct, front	RC2-7300-000CN	1
3	Stopper, inner door, 1	RC2-6719-000CN	1
4	Stopper, inner door, 2	RC2-6736-000CN	1
5	Door, inner, service kit includes all labels	CC522-67906	1
6	Cover, lower front	RC2-6737-000CN	1
11	Spring, grounding	RC2-7209-000CN	1
12	Hinge, inner door, left	RC2-6716-000CN	1
13	Hinge, inner door, right	RC2-6712-000CN	1
14	Rail, cartridge auxiliary	RC2-6724-000CN	1
15	Mount, cover arm, front	RC2-6735-000CN	1
16	Arm, front cover, 1	RC2-6732-000CN	2
17	Mount, inner door toggle	RC2-6717-000CN	1
18	Arm, front cover, 2	RC2-6733-000CN	2
19	Mount, stopper arm	RC2-6745-000CN	2
20	Mount, inner door rail	RC2-6743-000CN	1
21	Spring, compression	RU6-2721-000CN	1
22	Lever, inner door pressure	RC2-6744-000CN	1
23	Hinge, front cover, left	RC2-6713-000CN	1
24	Hinge, front cover, center	RC2-6738-000CN	1
25	Hinge, front cover, right	RC2-6715-000CN	1
26	Cover, guide	RC2-7204-000CN	1
27	Guide, arm, front	RC2-6632-000CN	1
28	Lever, push	RC2-7198-000CN	1
29	Lever, lift, 2	RC2-7200-000CN	1
30	Microswitch	WC4-5251-000CN	1