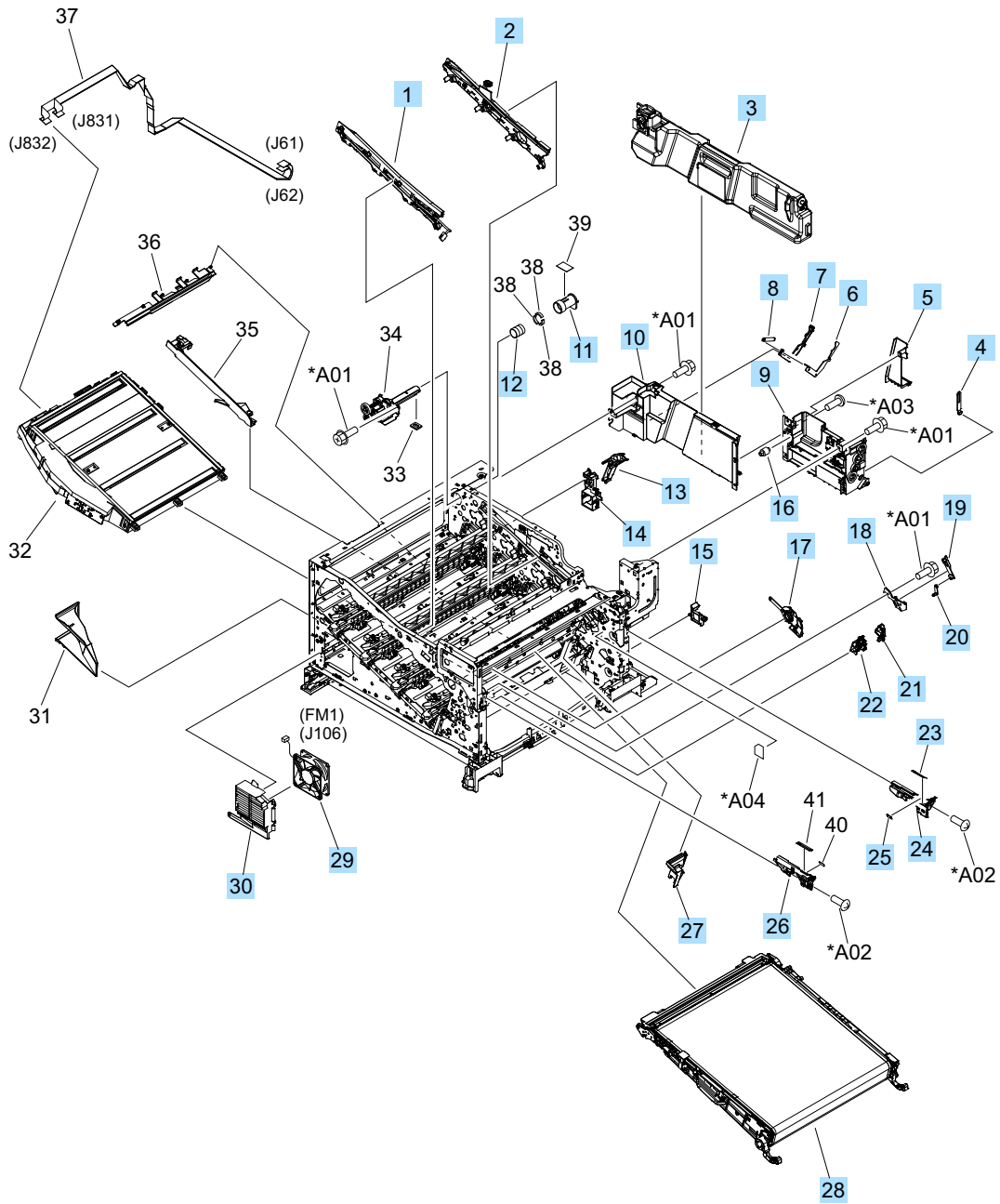


# Internal components (6 of 9)

Figure 4-8 Internal components (6 of 9)



**Table 4-12 Internal components (6 of 9)**

<b>Ref</b>	<b>Description</b>	<b>Part number</b>	<b>Qty</b>
1	IT belt guide rail assembly	RM1-6018-000CN	1
2	IT belt guide rail R1 assembly	RM1-6037-000CN	1
3	Toner collection unit (included in the service kit)	CE980-67901	1
4	Arm, waste toner, left	RC2-7035-000CN	1
5	Cover, waste toner, 3	RC2-6963-000CN	1
6	Plate, arm reinforcement	RC2-9649-000CN	1
7	Arm, waste toner, right	RC2-7036-000CN	1
8	Spring, tension	RU6-2831-000CN	1
9	Waste toner cover assembly (includes Residual Toner Full Sensor)	RM1-6012-000CN	1
10	Cover, waste toner, 2	RC2-6962-000CN	1
11	Shutter, exhaust	RC2-7010-000CN	1
12	Spring, compression	RU6-2683-000CN	1
13	Guide, fuser AC cable	RC2-6693-000CN	1
14	Guide, LVT cable	RC2-6662-000CN	1
15	Clamp, edge	RC2-6663-000CN	1
16	Gear, link worm	RU6-0795-000CN	1
17	ITB guide rail assembly	RM1-6019-000CN	1
18	Guide, slide	RC2-7203-000CN	1
19	Slider, push	RC2-7201-000CN	1
20	Lever, lift, 1	RC2-7199-000CN	1
21	Cover, main cross-member cable	RC2-6650-000CN	1
22	Guide, main cross-member cable	RC2-6600-000CN	1
23	Label, ITB set, RH	RU5-8807-000CN	1
24	Rail, ITB guide	RC2-7185-000CN	1
25	Label, ITB, RV	RU5-8805-000CN	1
26	Rail, ITB guide, F3	RC2-7193-000CN	1
27	Guide, inside cable	RC2-6589-000CN	1
28	ITB assembly (included in the service kit; includes transfer roller)	CC522-67911	1
29	Fan, power supply	RK2-2276-000CN	1
30	Holder, power supply fan	RC2-7299-000CN	1