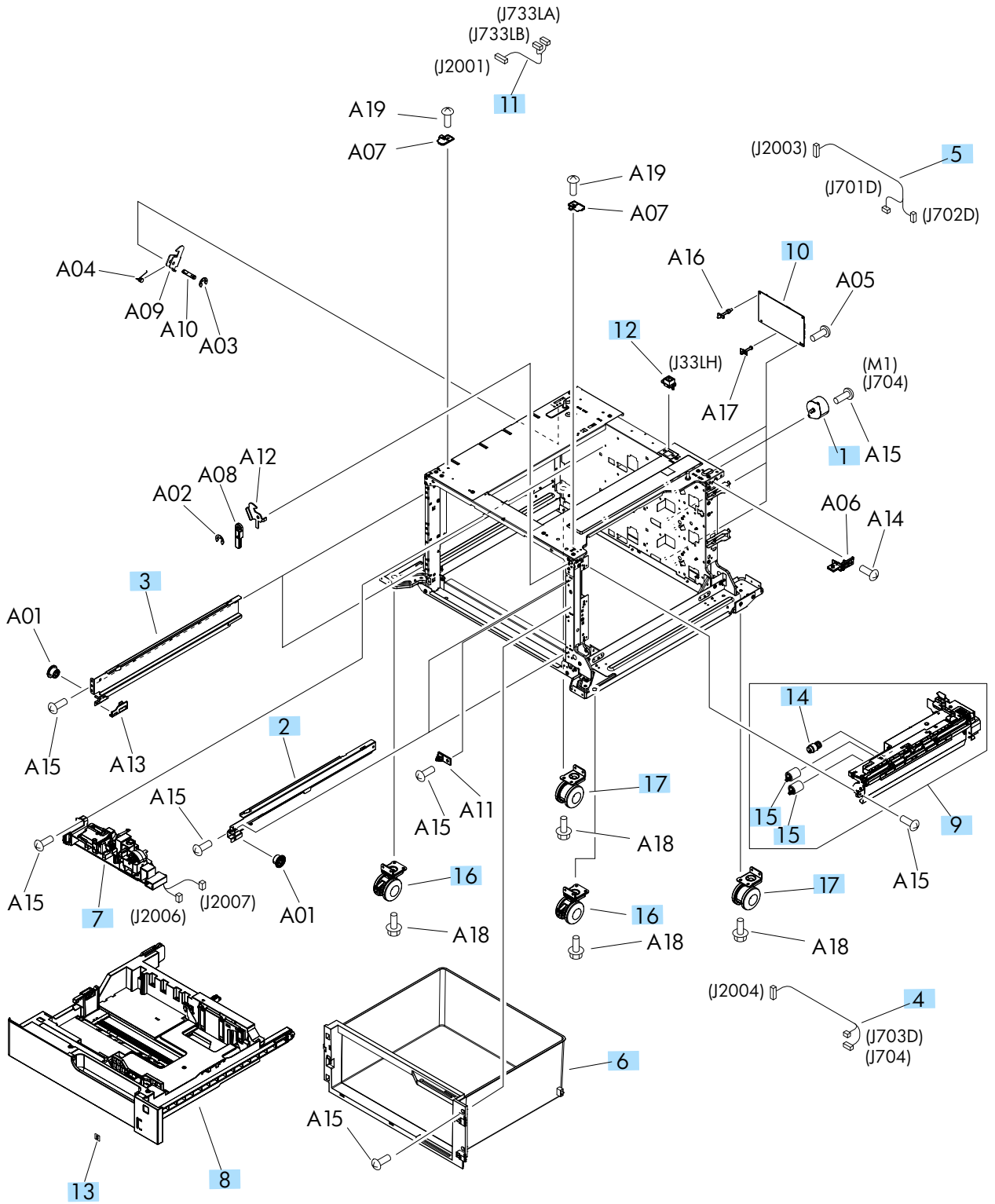


# 1x500-sheet paper deck components

Figure 2-27 1x500-sheet paper deck components



**Table 2-30 1x500-sheet paper deck components**

<b>Ref</b>	<b>Description</b>	<b>Part number</b>	<b>Qty</b>
1	Motor, stepping, DC	RK2-1331-000CN	1
2	Rail, cassette, right	RL1-1390-000CN	2
3	Rail, cassette, left	RL1-1391-000CN	2
4	Cable, paper pickup option	RM1-3575-000CN	1
5	Cable, multisensor	RM1-3647-000CN	1
6	Stock box assembly	RM1-6954-000CN	1
7	Lifter drive assembly	RM1-3819-000CN	1
8	Tray 3 - 6 replacement	CC522-67914	1
9	Paper pickup assembly <sup>1</sup>	RM1-6944-000CN	1
10	Feeder PCA	RM1-6988-000CN	1
11	Cable, engine interface	RM1-6991-000CN	1
12	Connector, 8P	VS1-7500-008CN	1
14	Kit, pickup roller <sup>1</sup>	CC522-67909	1
15	Kit, pickup and feed roller <sup>1</sup>	CC522-67909	1
16	Caster, double lock, front	RC1-9896-000CN	2
17	Caster, rear	RC3-2994-000CN	2

<sup>1</sup> This service kit contains four pickup and four feed rollers.