

3x500-sheet paper deck components

Figure 2-28 3x500-sheet paper deck components

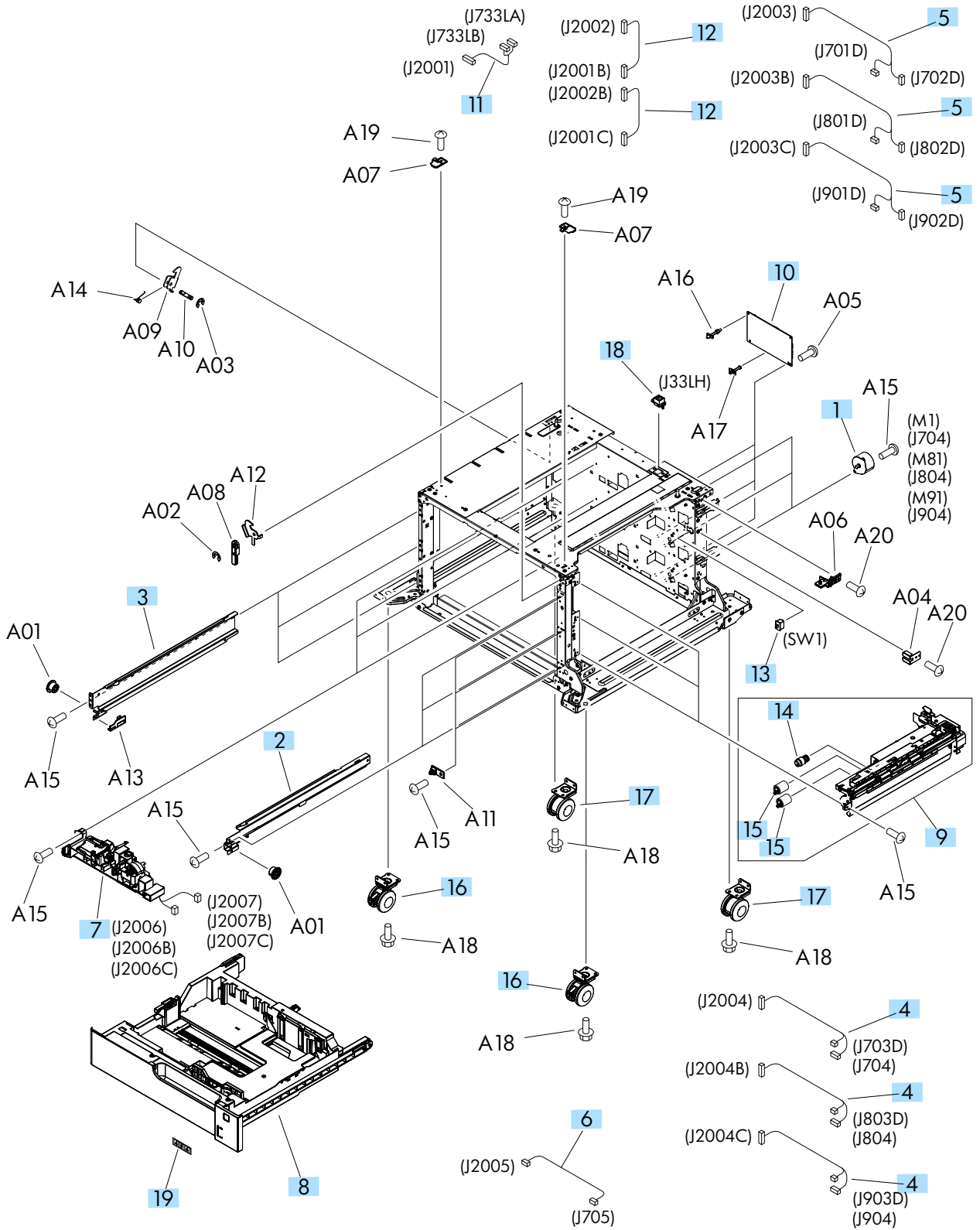


Table 2-31 3x500-sheet paper deck components

Ref	Description	Part number	Qty
1	Motor, stepping, DC	RK2-1331-000CN	3
2	Rail, cassette, right	RL1-1390-000CN	3
3	Rail, cassette, left	RL1-1391-000CN	3
4	Cable, paper pickup option	RM1-3575-000CN	3
5	Cable, multi sensor	RM1-3647-000CN	3
6	Cable, door open switch	RM1-3651-000CN	1
7	Lifter drive assembly	RM1-3819-000CN	3
8	Tray 3 - 6 replacement	CC522-67914	1
9	Paper pickup assembly	RM1-6944-000CN	3
10	Feeder PCA	RM1-6989-000CN	1
11	Cable, engine interface	RM1-6991-000CN	1
12	Cable, PCA joint	RM1-6992-000CN	2
13	Switch, button	WC2-5512-000CN	1
16	Caster, double lock, front	RC1-9896-000CN	2
17	Caster, rear	RC3-2994-000CN	2
18	Connector, 8P	VS1-7500-008CN	1