

Covers

Figure 2-14 Covers

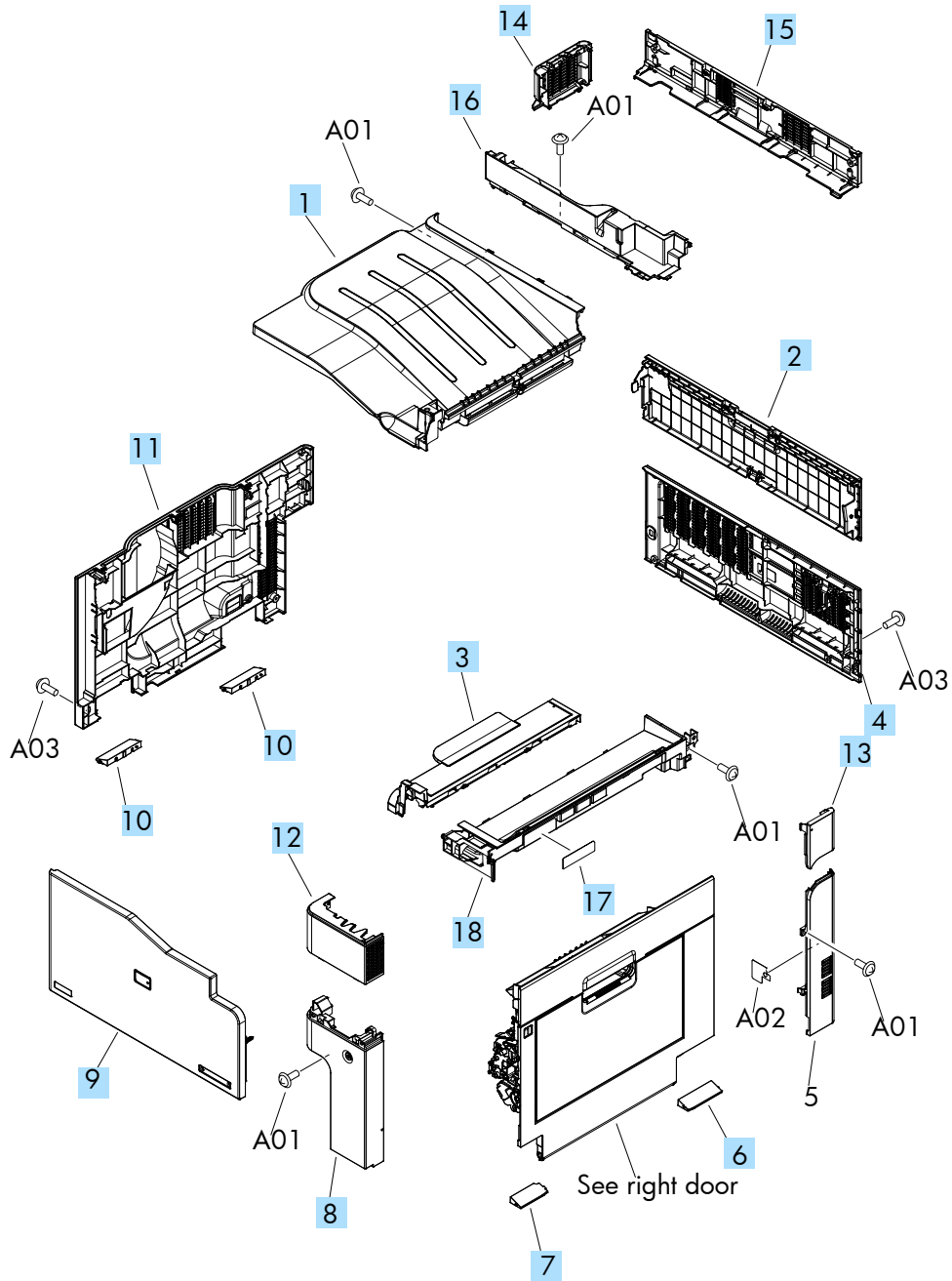


Table 2-17 Covers

Ref	Description	Part number	Qty
1	Cover, top	RM1-9358-000CN	1
2	Door, toner collection unit access	RC2-7034-000CN	1
3	Cover, delivery	RM1-9383-000CN	1
4	Cover, rear	RM1-9362-000CN	1
5	Cover, right rear	RM1-7142-000CN	1
6	Cover, handle, lower-right, rear	RC2-6626-000CN	1
7	Cover, handle, lower-right, front	RC2-6627-000CN	1
8	Cover, right front	RM1-9359-000CN	1
9	Kit, front cover assembly with HP jewel	CE707-67902	1
10	Cover, handle, lower-left	RC2-6625-000CN	2
11	Cover, left	RM1-9363-000CN	1
12	Cover, right upper	RC2-9155-000CN	1
13	Cover, right rear	RC2-9157-000CN	1
14	Cover, left rear	RC2-9158-000CN	1
15	Cover, rear upper	RC2-9160-000CN	1
16	Wall, inner	RC3-2321-000CN	1
17	Label, fixing (fuser) access	RC3-2334-000CN	1
18	Cover, right upper	RM1-9367-000CN	1