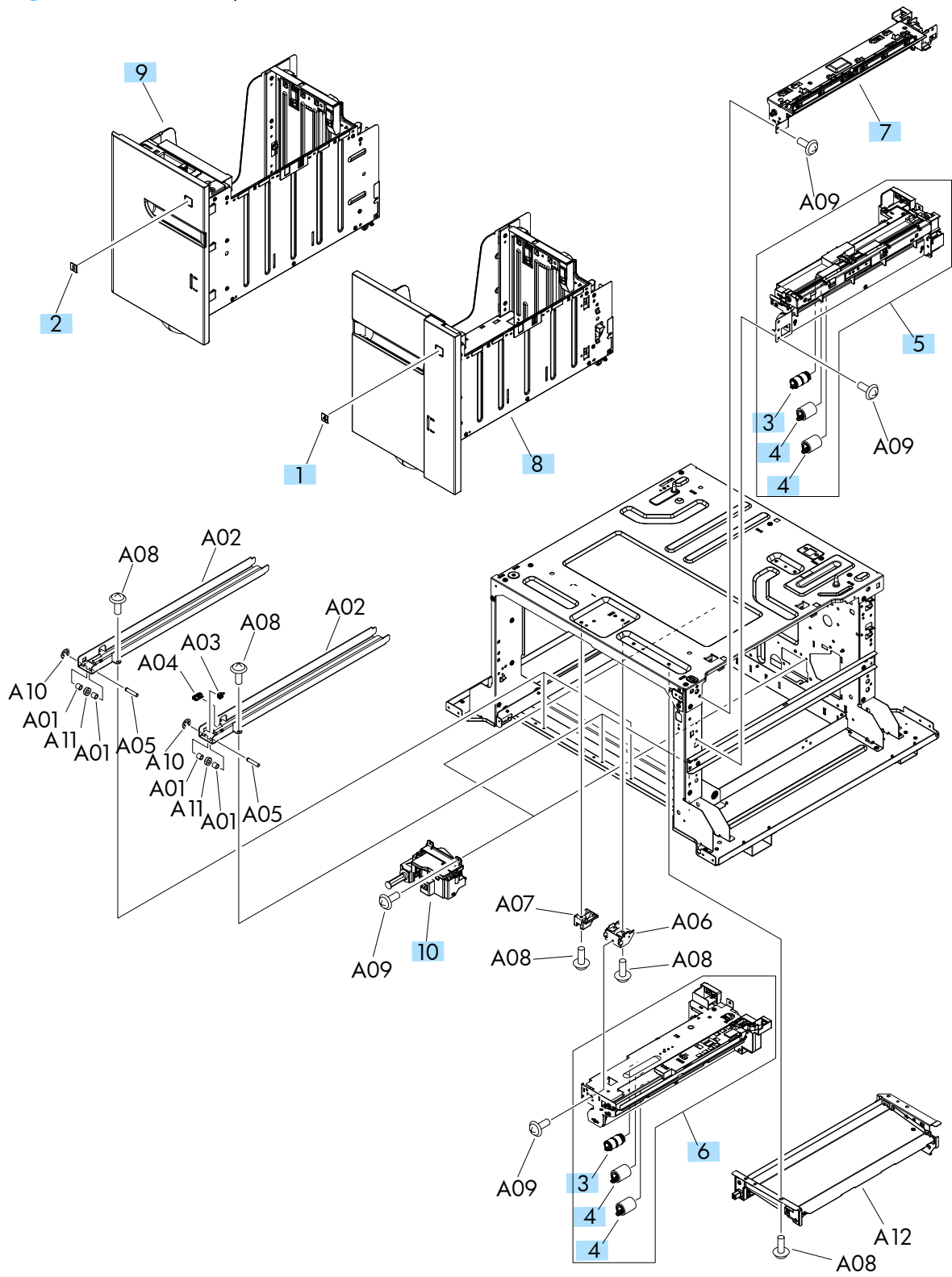


## HCI components (2 of 2)

Figure 2-31 HCI components (2 of 2)



**Table 2-34 HCI components (2 of 2)**

<b>Ref</b>	<b>Description</b>	<b>Part number</b>	<b>Qty</b>
3	Kit, pick/feed roller 3,500 HCI <sup>1</sup>	5851-5011	1
4	Kit, pick/feed roller 3,500 HCI <sup>1</sup>	5851-5011	1
5	Paper pickup assembly, right	RM1-8869-000CN	1
6	Paper pickup assembly, left	RM1-8876-000CN	1
7	Crossing paper feed assembly	RM1-8888-000CN	1
8	Tray 3, 3,500 HCI	CC522-67916	1
9	Tray 4, 3,500 HCI	CC522-67915	1
10	Auto close assembly	RM1-8880-000CN	2

<sup>1</sup> This service kit contains two pickup and four feed rollers.