

High capacity input (HCI) feeder

HCI covers

Figure 2-29 HCI covers

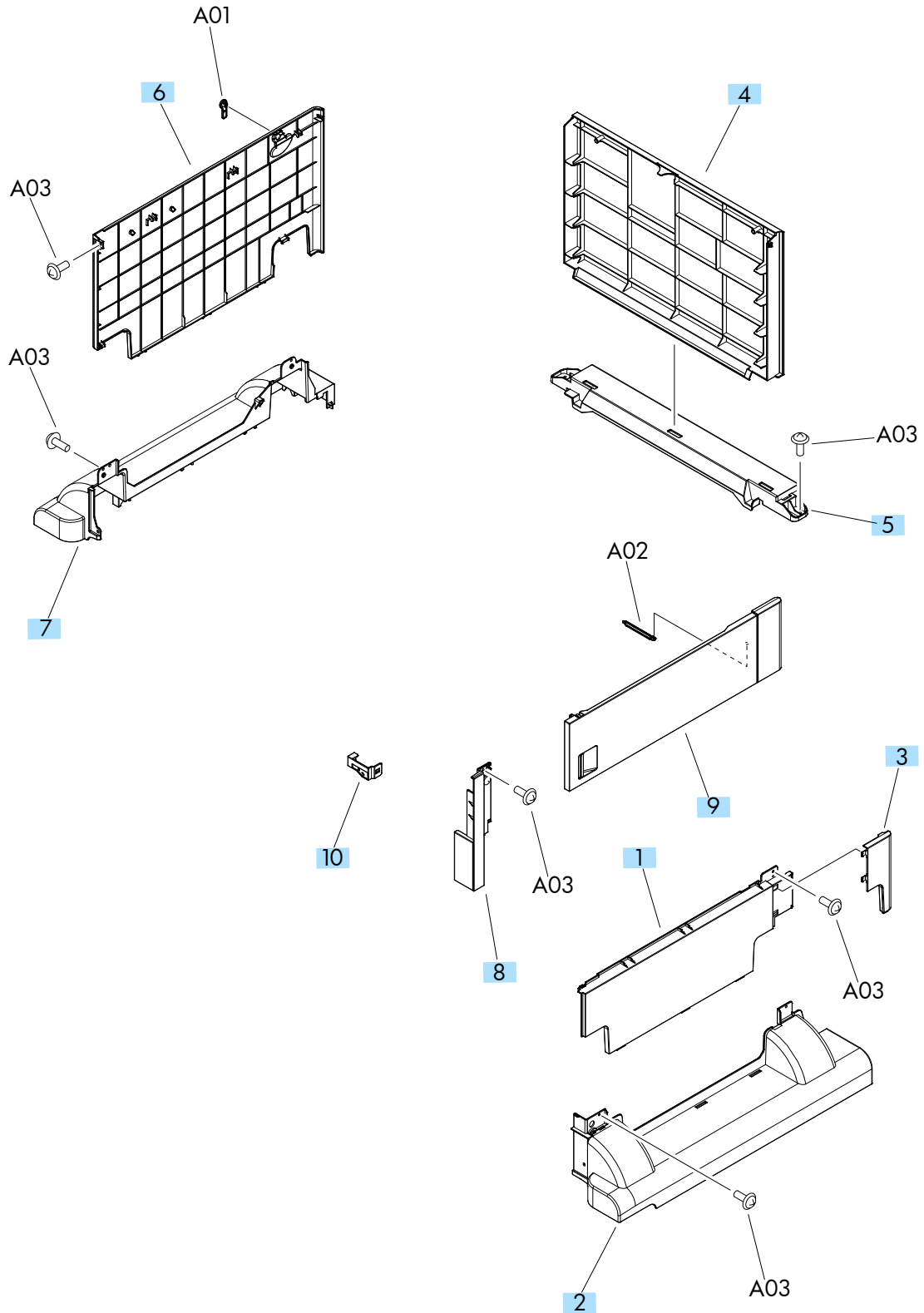


Table 2-32 HCI covers

Ref	Description	Part number	Qty
1	Cover, right center	RC3-3000-000CN	1
2	Cover, right lower	RC3-3001-000CN	1
3	Cover, right rear	RC3-3002-000CN	1
4	Cover, rear	RC3-3003-000CN	1
5	Cover, rear lower	RC3-3004-000CN	1
6	Cover, left	RC3-3005-000CN	1
7	Cover, left lower	RC3-3006-000CN	1
8	Cover, corner, right	RC3-3009-000CN	1
9	Right door assembly	RM1-8868-000CN	1
10	Right front lock cover assembly	RM1-9416-000CN	1