

Internal assemblies (3 of 8)

Figure 2-18 Internal assemblies (3 of 8)

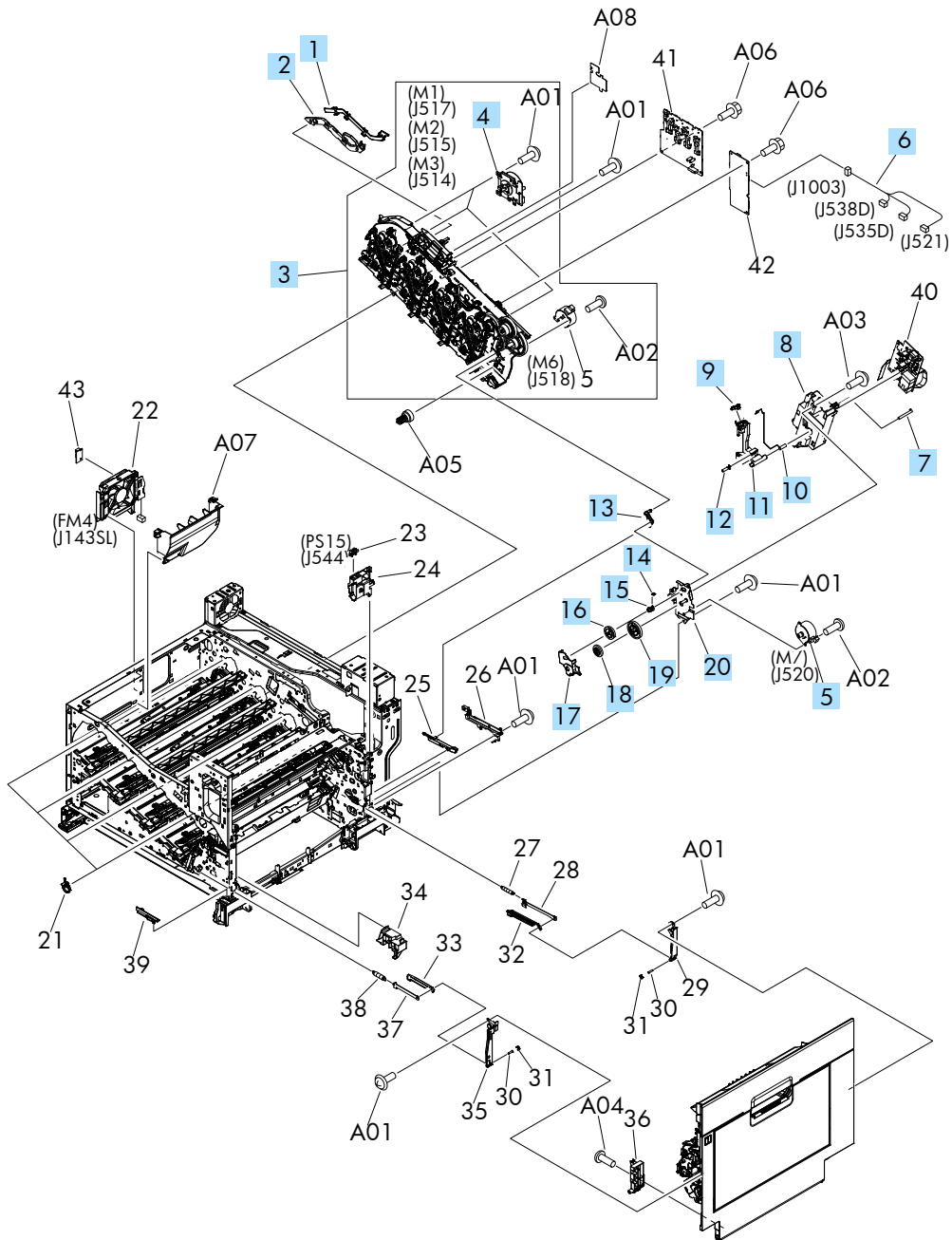


Table 2-21 Internal assemblies (3 of 8)

Ref	Description	Part number	Qty
1	Cover, main drive cable, lower	RC2-6574-000CN	1
2	Guide, main drive cable	RC2-6659-000CN	1
3	Kit, main drive assembly duplex	CE708-67901	1
4	Motor, DC	RM1-6088-000CN	3
5	Motor, DC stepping (M6, M7)	RK2-3298-000CN	2
6	Cable, feed joint	RM1-6846-000CN	1
7	Spring, grounding	RU6-2772-000CN	1
8	Holder, 2cnd transfer H.V.T.	RC2-6681-010CN	1
9	Cap, T2 contact	RC2-6691-000CN	1
10	Spring, contact	RU6-2771-000CN	2
11	Holder, 2cnd power dispatching	RC2-6682-000CN	1
12	Spring, grounding	RC2-6700-000CN	1
13	Link, ITB coupling release	RC2-6823-000CN	1
14	Spring, tension	RU6-2671-000	1
15	Hook, duplexing spring	RC2-6932-000CN	1
16	Gear, 25T	RU6-0771-000CN	1
17	Cover, duplexing gear	RC2-6931-000CN	1
18	Gear, 25T	RU6-0772-000CN	1
19	Gear, 74T	RU6-0773-000CN	1
20	Plate, duplexing drive gear	RL1-2266-000CN	1